

#L0410—Installation Instructions for Lid Locks for the X0211 zero reveal riser.

L0410 - Installation Instructions
for X0211 zero reveal flush lid
riser REV #2

latham

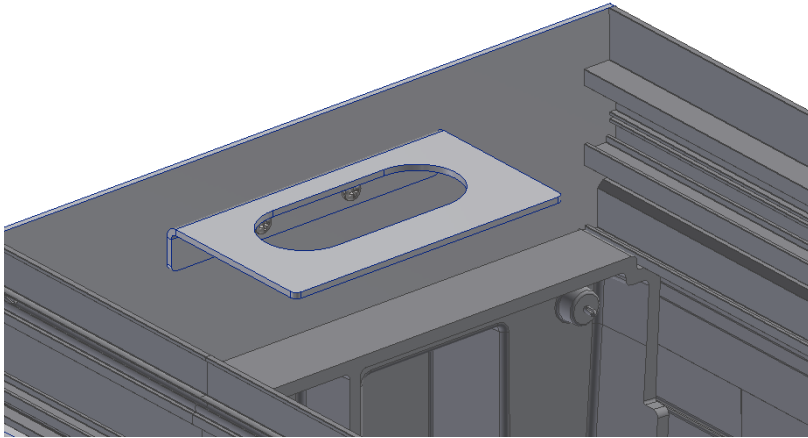
Included parts:

- 2ea. H1122—Lock for Flush Lid Kit
- 2ea. M1033—Backing Plate for lock for flush lid kit
- 2ea. M2222—Lid Lock Bracket
- Fasteners
- Installation Instructions



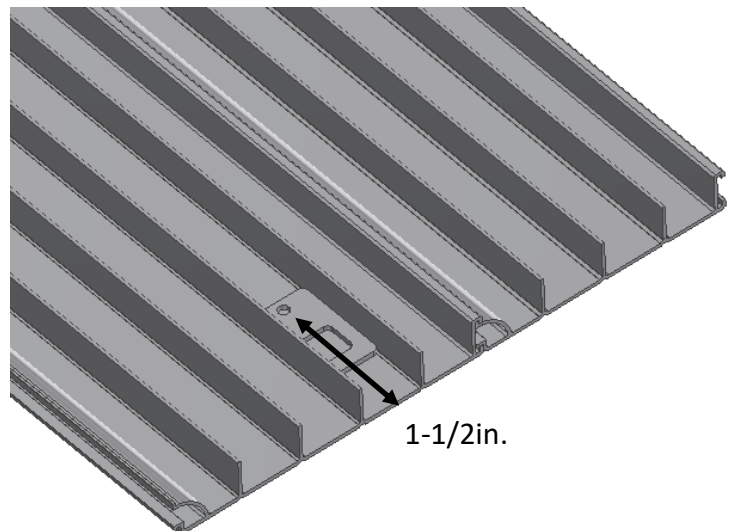
Required tools:

- Round File
- Adjustable Wrench up to 1" opening.
- Tape Measure
- Marker
- Phillips screwdriver
- 3/8 Wrench

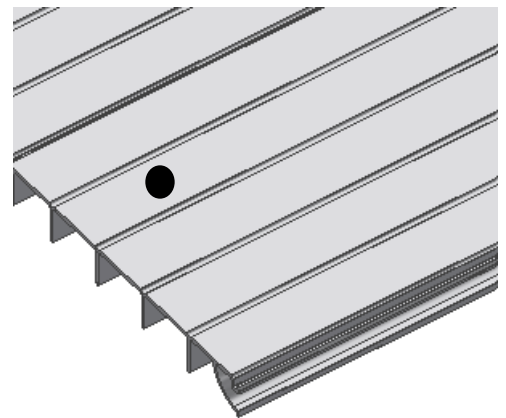


Step 1: Attach M2222 Lid Lock Bracket to end plate using the provided screws and nuts. It fits into the existing holes in the end plate. Tighten down with Philips screwdriver and wrench

Step 2: Mark where the hole will be drilled in lid X0009 (7.5 in. flush lid) as shown 1-1/2 in. from end of lid using a marker and M1033 as an alignment gauge. Be sure to mark in the proper channel as shown.

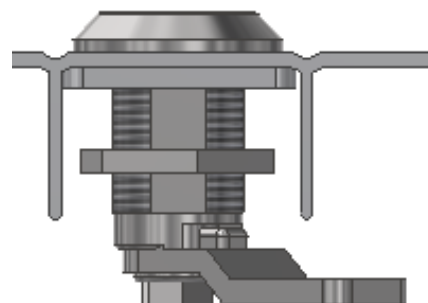


Step 3: Using the 7/8 in. Stepper drill bit drill a hole thru the lid and clean up the edges using the round file.



Step 4: Insert the H1122 lock thru the top of the lid and the flat plate M1033 onto the bottom. Then insert the 1 in. nut onto the lock and tighten down.

Repeat Steps 1-4 on opposite side



The Installation is now complete and the lid can be installed and locked into place