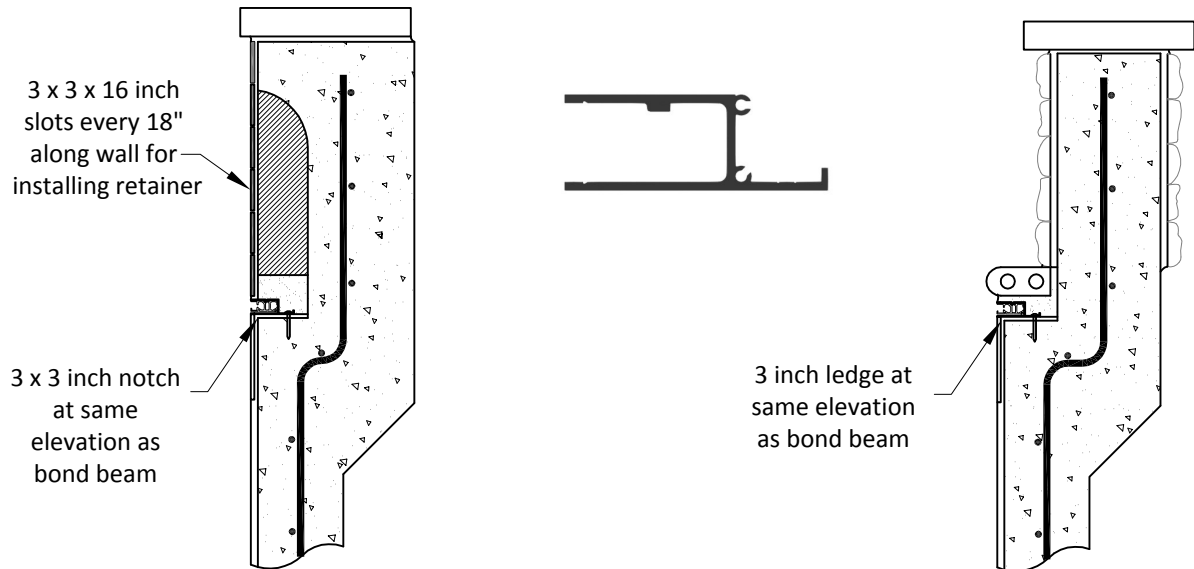
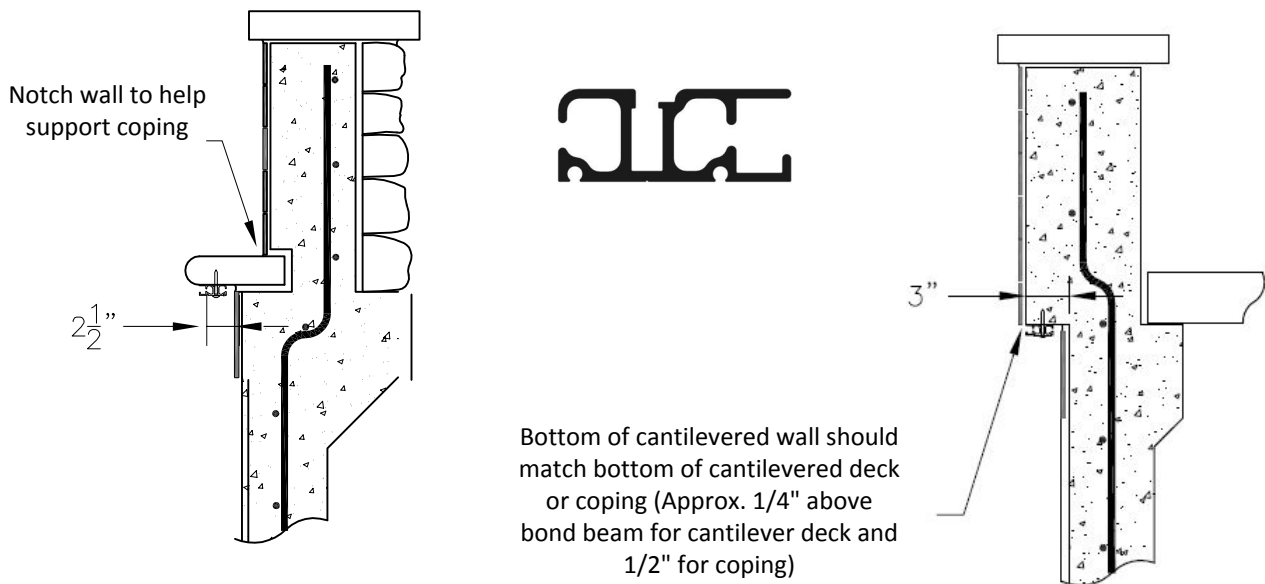


Raised Walls Flush to Pool Interior

Raised Wall for Gunite Retainer



Raised Wall for Drill-up Track



Note: Tile, veneer stone and ledges for concrete deck or thick veneer are not specific to examples shown.