

POOL COVER SPECIALISTS®

2018 Parts Catalog



SP-PCS-0005 bm 5.18

Table of Contents

Infinity 4000™ Systems	3
Infinity 4000™ Mechanism Assembly 2017	4
Infinity 4000™ Mechanism Assembly 2014	5
Baldor Drive Motor	6
End Casting Assembly	7
Universal Double Dog Assembly	8
Top Track Slider Assembly	9
Top Track Molded Wheel Assembly	10
Top Track Wheel Assembly	11
Under Track Outside Slider Assembly	12
Slider Assembly 3" Extended	13
Standard Under Track Slider Assembly	14
Slider Assembly UT for 4" LE	15
Slider Assembly UT for 2-1/2 x 4-1/2" LE	16
Vanishing Edge Slider Assembly	17
Vanishing Edge Assembly	18
IDEC Key Switch Assembly	19
Vacuum Formed Housing	20
Aluminum Bench	21

Slider Assemblies	22
Slider Comparison Chart	23-24
Trak & Hardware for TT Systems	25
Trak & Hardware for UT Systems	26
Competitors Hardware	27
Motors & Motor Controllers	28
Lid Brackets	29
Aluminum Lid for TT and UT Systems	30
Flush Lid for TT and UT Systems	31
Walk-on Tray Lid Aluminum	32
Tubes and Leading Edges	33
Flush Track Kits and Hardware	34
Reusable Coping Forms & Kits	35
Vinyl Liner Track Retainer Kits	36
Gunite & Fiberglass Track Retainer Kits	37
Hardware for Track Retainer Kits	38
PowerTrak™ Mechanism	39
ManualTrak™ Mechanism	40



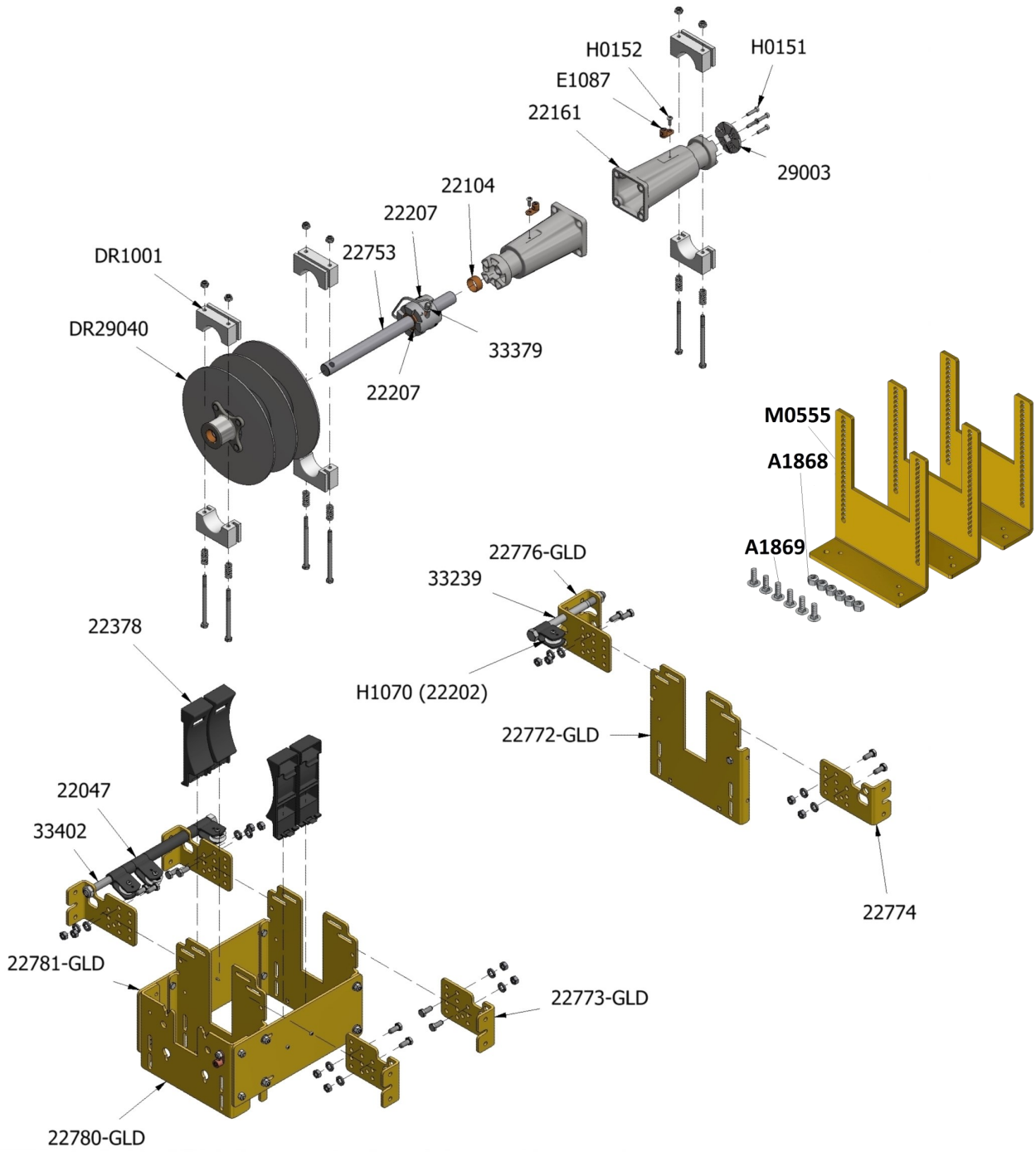
Infinity 4000™ Systems

PART ID#	PART DESCRIPTION	MOTOR
RECESSED MECHANISMS		
IM4010-L-GLD	Infinity 4000™ Recessed Mechanism Left Side	110V
IM4010-R-GLD	Infinity 4000™ Recessed Mechanism RT Side	110V
IM4010-L240-GLD	Infinity 4000™ Recessed Mechanism Left Side	240V
IM4010-R240-GLD	Infinity 4000™ Recessed Mechanism RT Side	240V
DECK MOUNT MECHANISMS		
IM4000-L-GLD	Infinity 4000™ Deck Mount Mechanism Left Side	110V
IM4000-R-GLD	Infinity 4000™ Deck Mount Mechanism RT Side	110V
IM4000-L240-GLD	Infinity 4000™ Deck Mount Mechanism Left Side	240V
IM4000-R240-GLD	Infinity 4000™ Deck Mount Mechanism RT Side	240V
HYDRAULIC RECESSED MECHANISMS		
IM4010-LH2-GLD	Infinity 4000™ Recessed Mechanism Left Side	240V
IM4010-RH2-GLD	Infinity 4000™ Recessed Mechanism RT Side	240V
HYDRAULIC DECK MOUNT MECHANISMS		
IM4000-LH2-GLD	Infinity 4000™ Deck Mount Mechanism Left Side	240V
IM4000-RH2-GLD	Infinity 4000™ Deck Mount Mechanism RT Side	240V

PART ID#	PART DESCRIPTION
RECESSED MECHANISM - No Motor	
IN4010-R-GLD	Infinity 4000™ Recessed Right with Tube End Casting
IN4010-L-GLD	Infinity 4000™ Recessed Left with Tube End Casting
DECK MOUNT MECHANISM - No Motor	
IN4000-R-GLD	Infinity 4000™ Deck Mount Right with Tube End Casting
IN4000-L-GLD	Infinity 4000™ Deck Mount Left with Tube End Casting

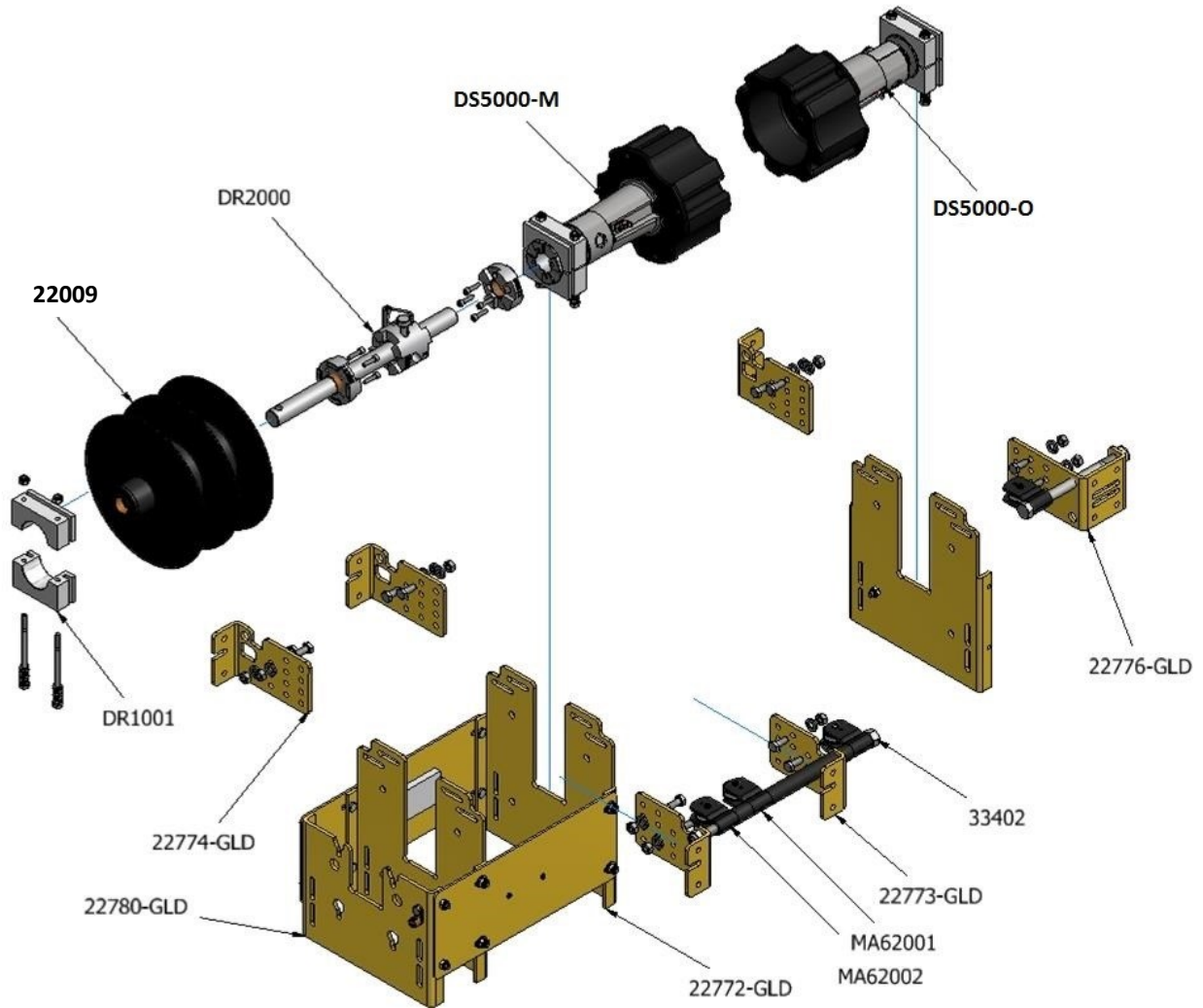
Infinity 4000™ Mechanism Assembly

2017 Replacement Parts

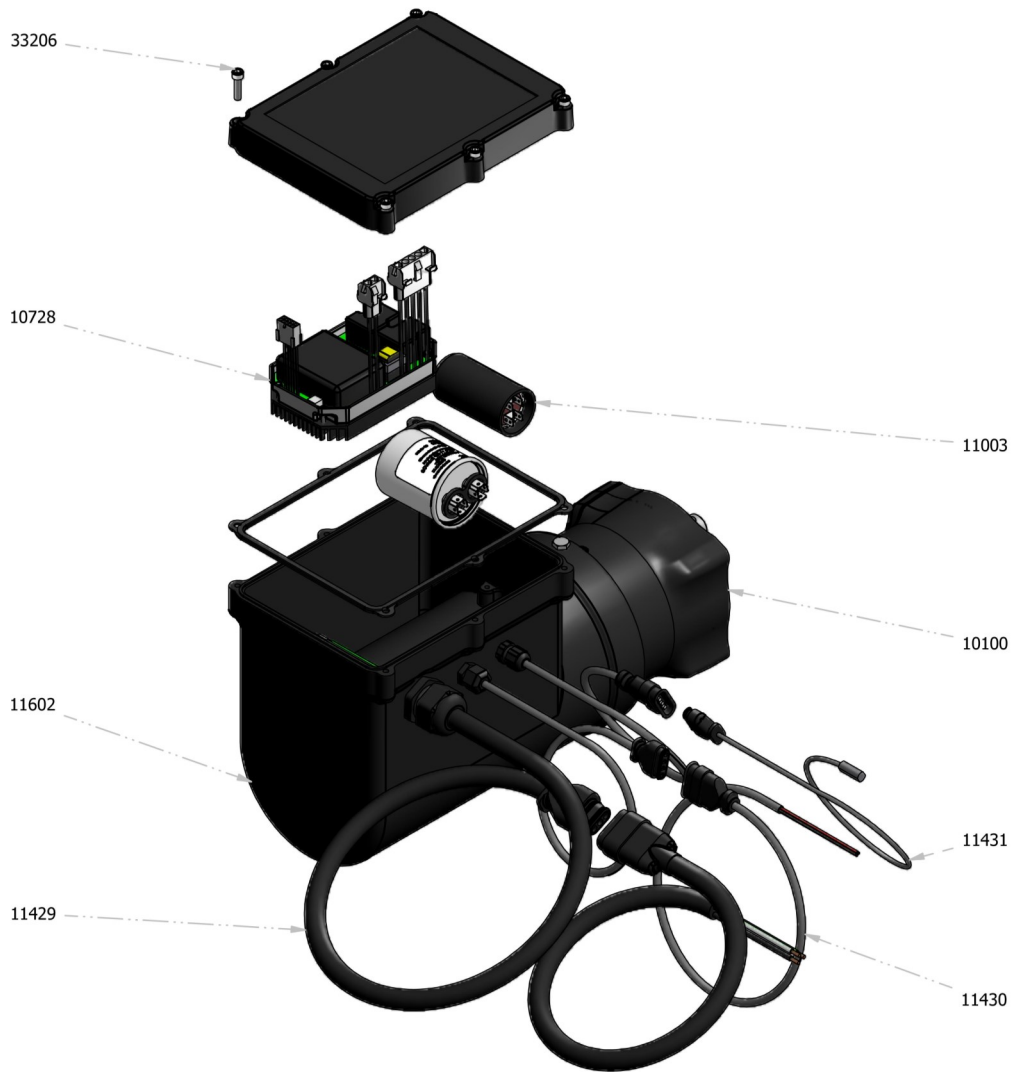


Infinity 4000™ Mechanism Assembly

2014 Replacement Parts

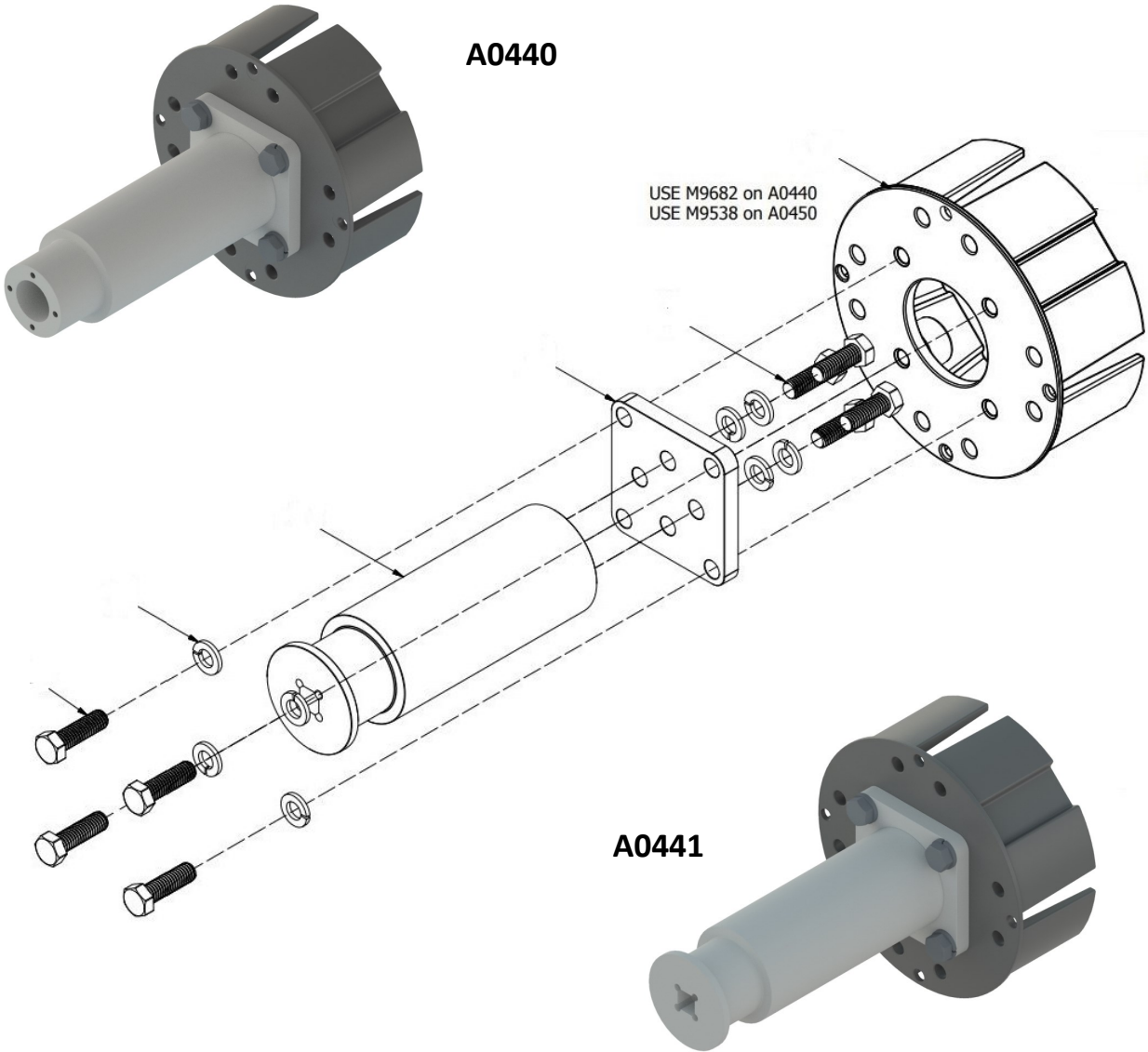


Baldor Motor w/ Aluminum Canister



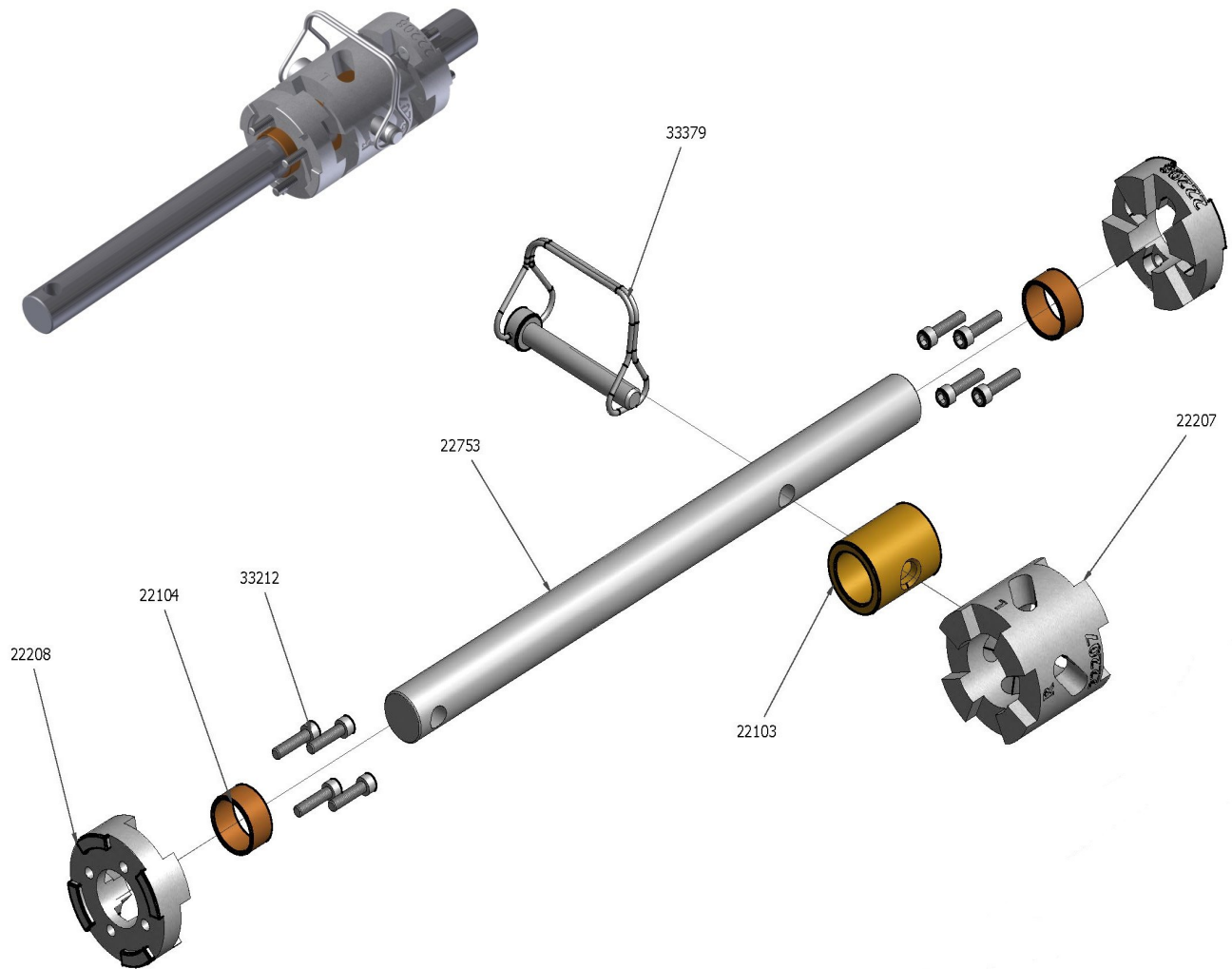
PART ID#	PART DESCRIPTION	MOTOR	UNIT
IN1000	Baldor Motor Assembly	110V	KIT
10728	Electric Motor Smart control Board	110-220V	EA.
10100	Baldor Motor (Motor Only)	110V	EA.
IN1000-240	240V Baldor Motor Assembly	240V	KIT
IN1000-DC	24V DC Baldor Drive Motor Assembly	24V DC	KIT

End Casting Assembly



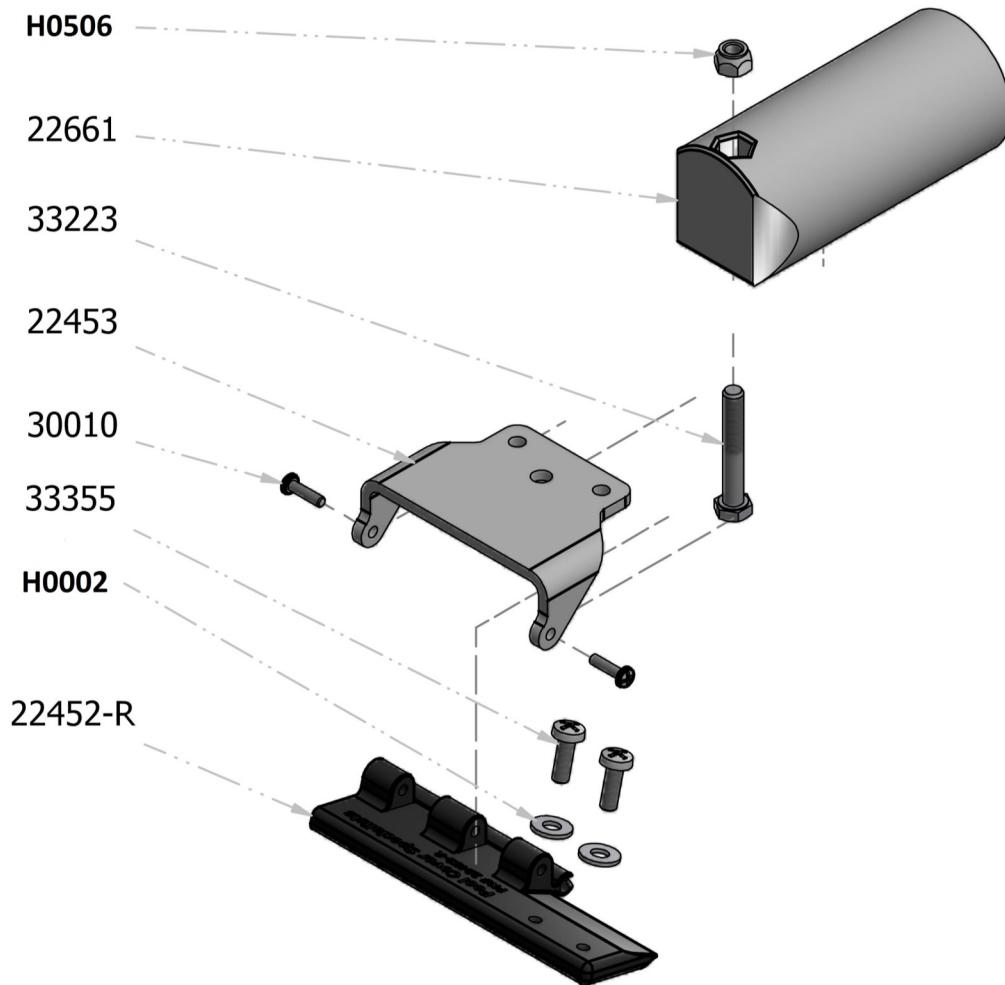
PART ID#	PART DESCRIPTION	UNIT
A0440	2016 Retro NME End Casting Assembly	EA.
A0441	2016 Retro ME End Casting Assembly	EA.

Universal Double/Single Dog Assembly



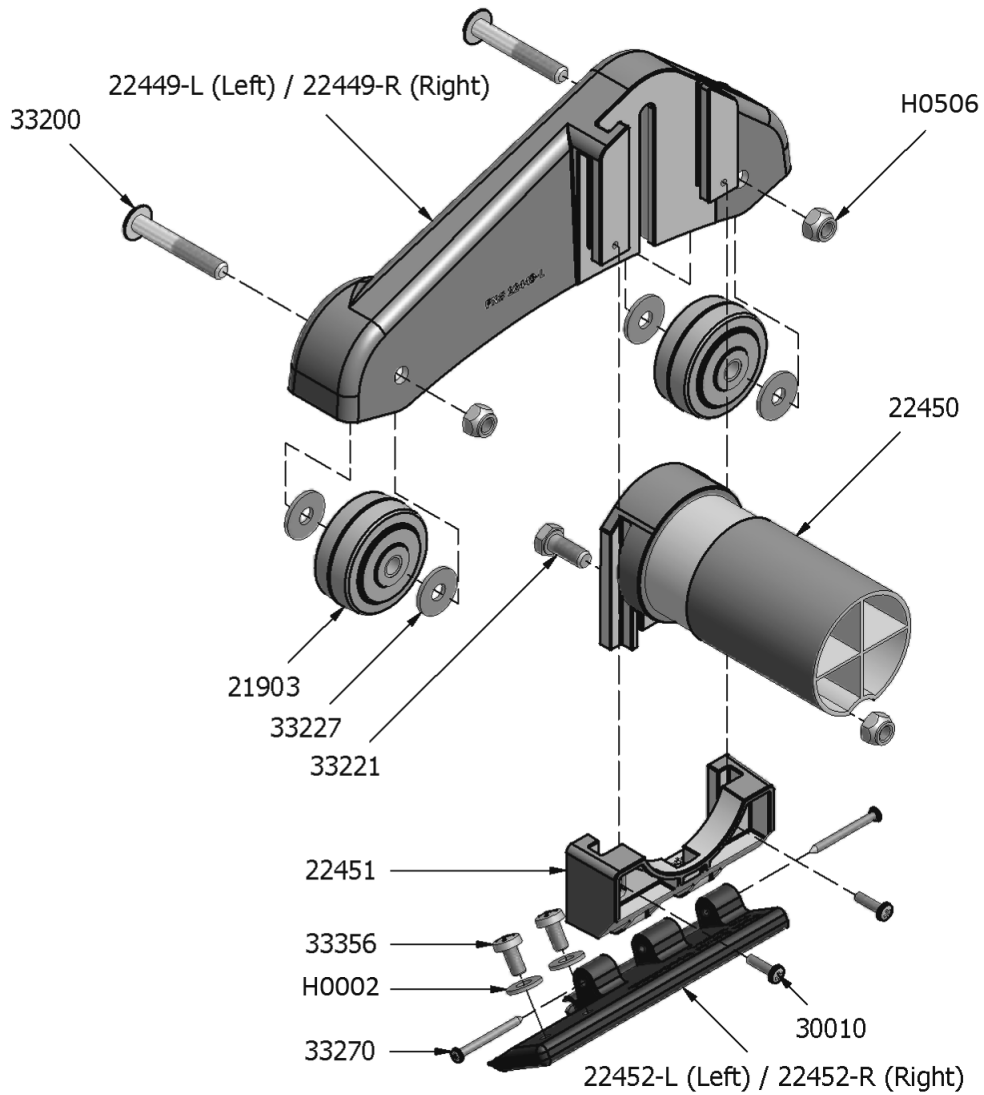
PART ID#	PART DESCRIPTION	UNIT
DR2000	Universal Double / Single Dog, 7/8" Shaft	EA.
22208	Universal Single Dog	EA.
22207	Universal Double Dog	EA.

Top Track Slider Assembly



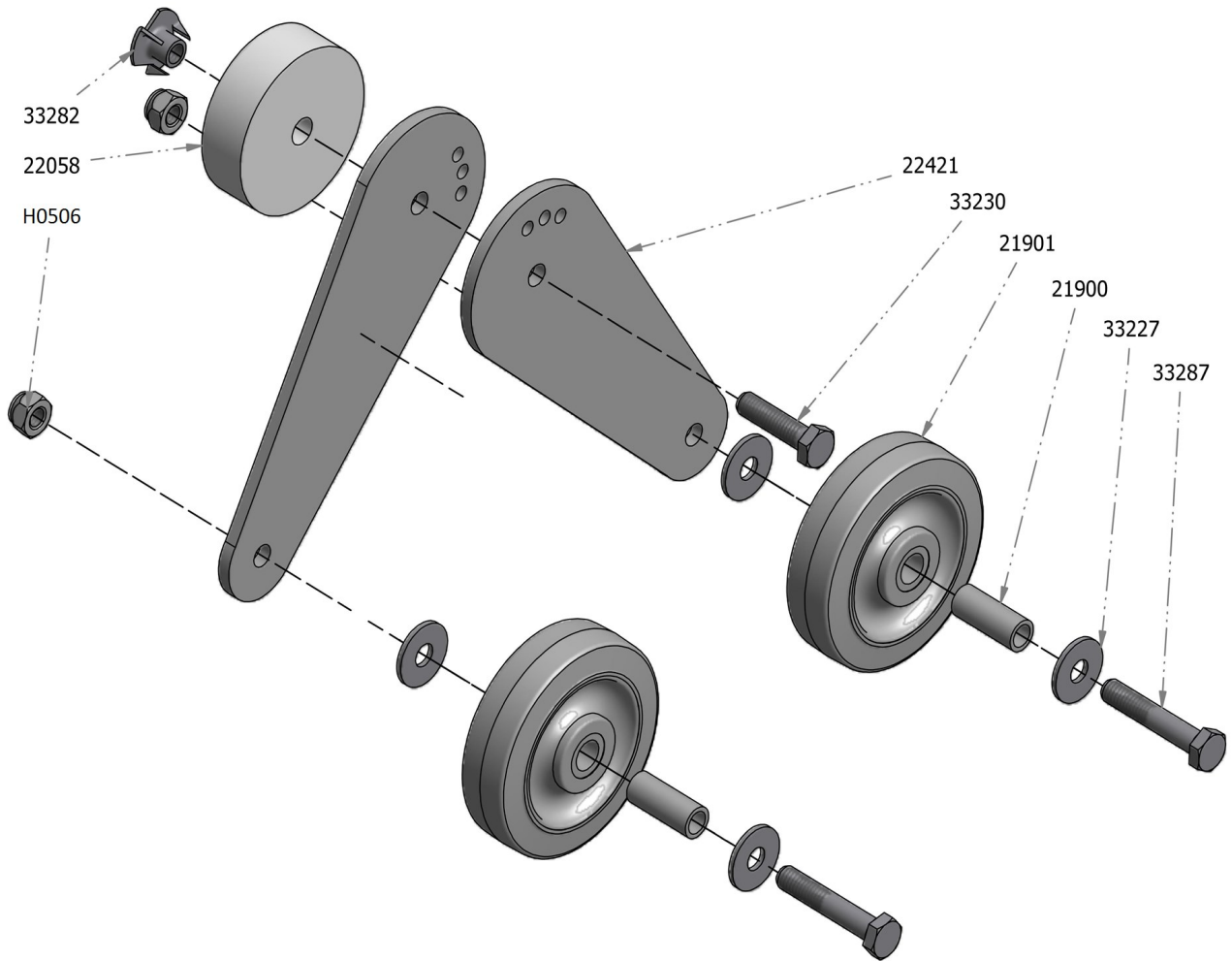
PART ID#	PART DESCRIPTION	UNIT
TT2009	Top Track Slider Assembly	KIT
SL22661	Replacement Slip Dowel Kit	EA.
22452-L or R	Molded Top Track Slider	EA.

Molded Top Track Wheel Assembly



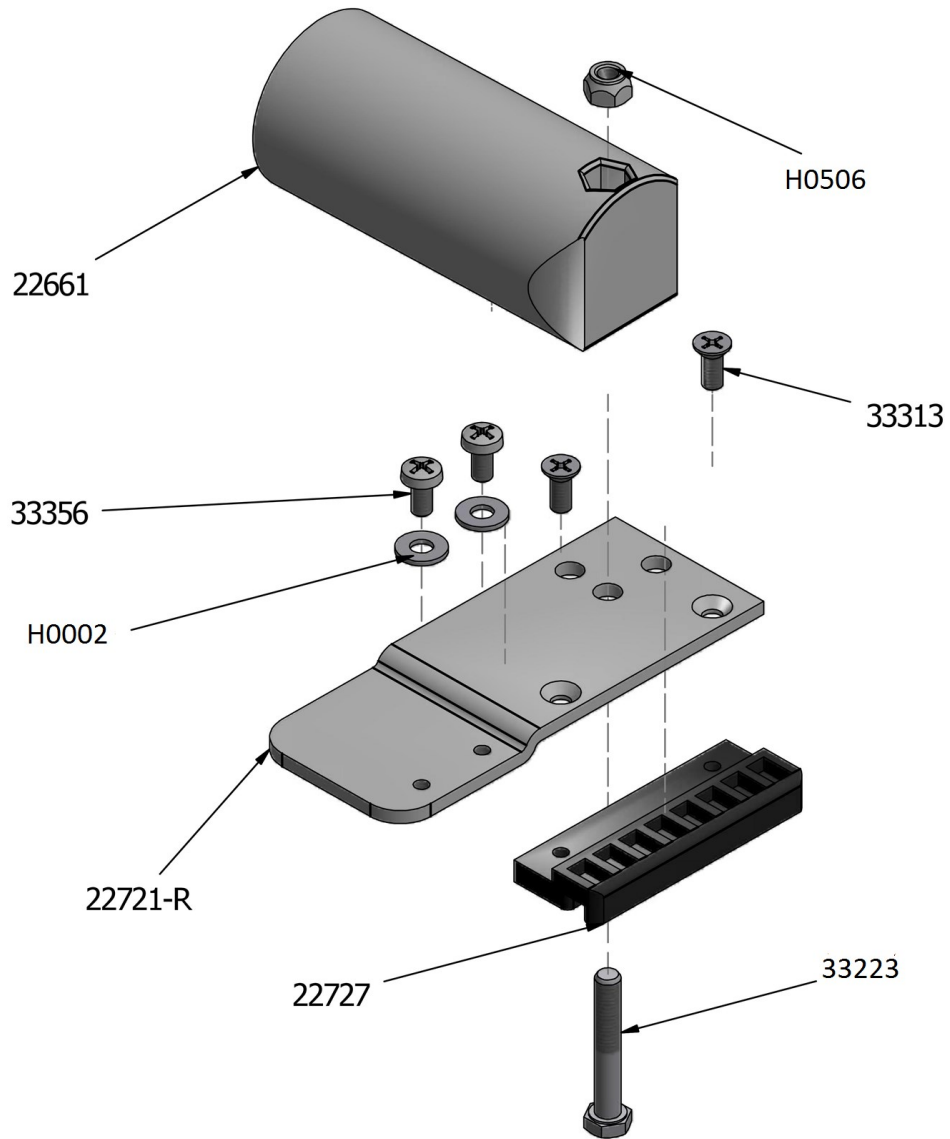
PART ID#	PART DESCRIPTION	UNIT
TT2010	Molded Top Track Wheel Assembly	KIT
22452-L or R	Molded Top Track Wheel Slider (Left & Right)	EA.
TT21903	Wheel, Colson 2"	EA.

Top Track Wheel Assembly



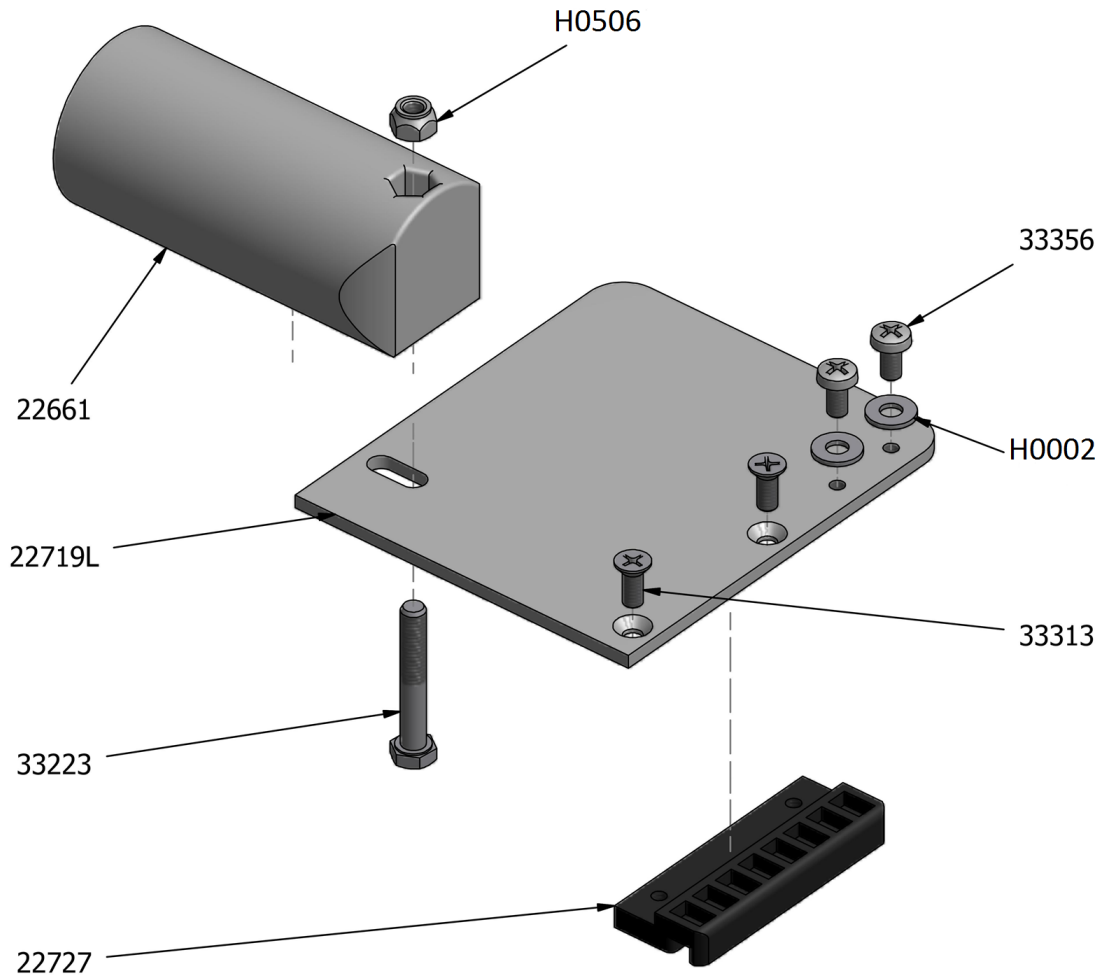
PART ID#	PART DESCRIPTION	UNIT
TT1003	Top Track Wheel Assembly	KIT
TT21901	Wheel, 3" Colson Replacement Kit	EA.
TT1005	Leading Edge Dowel Assembly	EA.

Outside Slider Assembly UT



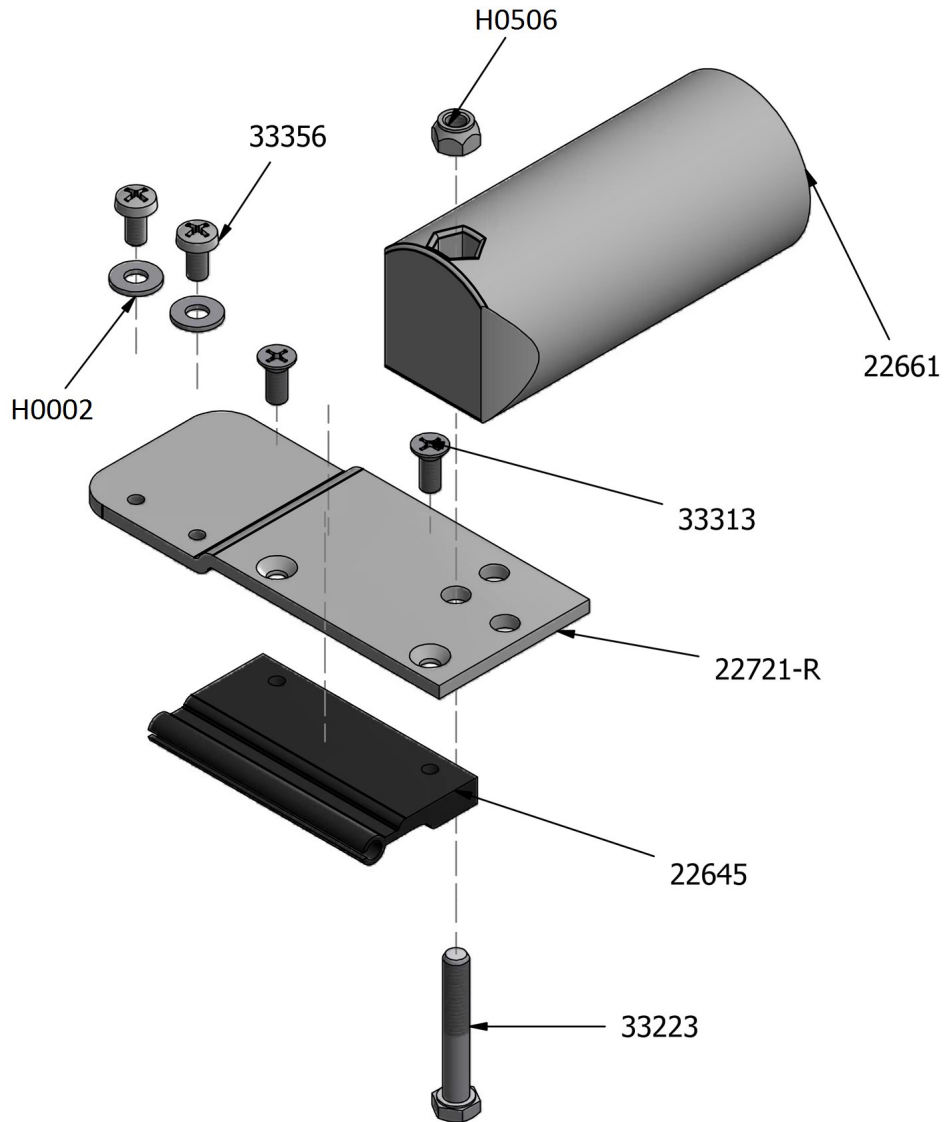
PART ID#	PART DESCRIPTION	UNIT
UTO1016	Slider Assembly, Under Track for Outside Slider	KIT
SL22661	Replacement Slip Dowel Kit	EA.
SL22721	Under Track Slider Bracket Kit	EA.
SL22727	Under Track Outside Slider	EA.

Slider Assembly 3" Extended UT



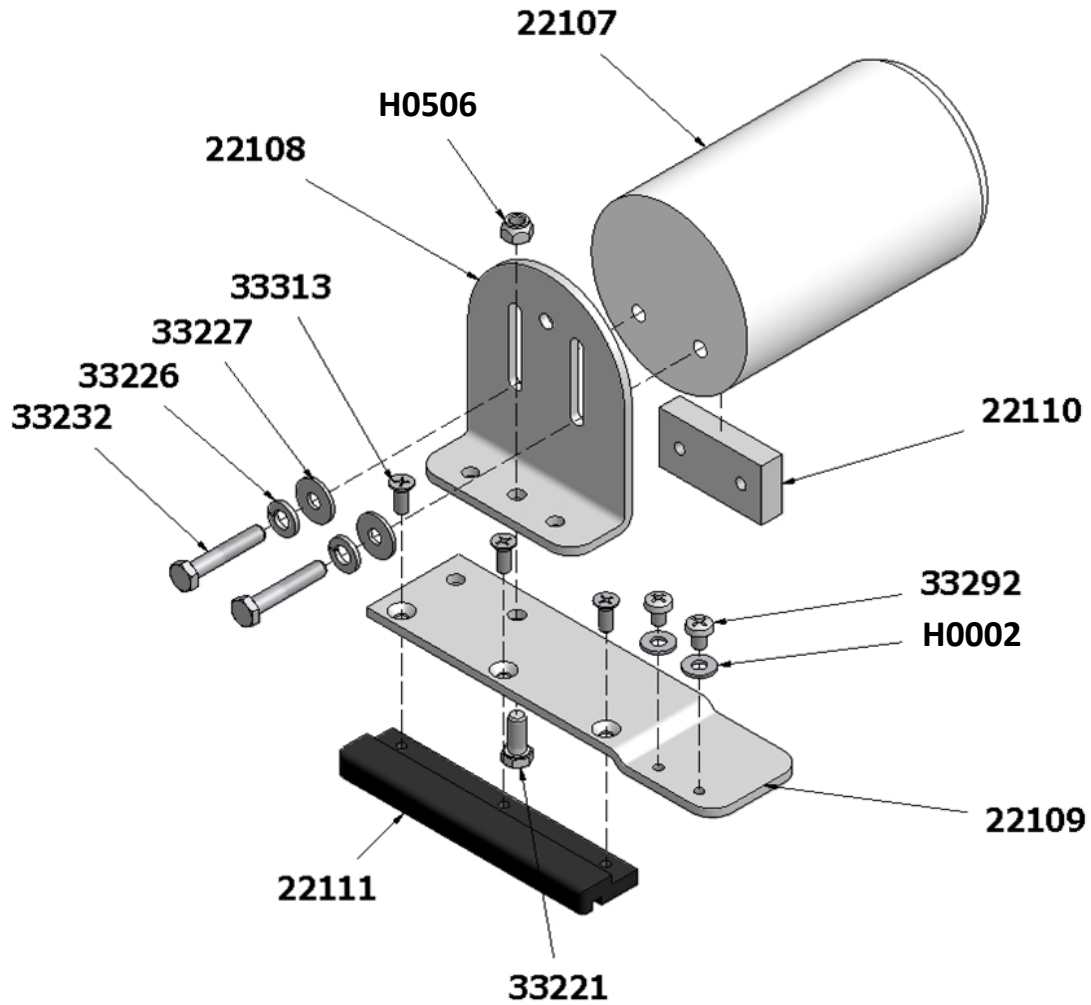
PART ID#	PART DESCRIPTION	UNIT
UTO1016-3	Slider Assembly 3" Extended Under Track	KIT
SL22661	Leading Edge Slip Dowel	EA.
22719L or R	Extended Slider Plate 3" (Left or Right)	EA.
SL22727	Slider, Under Track Outside Slider	KIT

Standard UT Slider Assembly



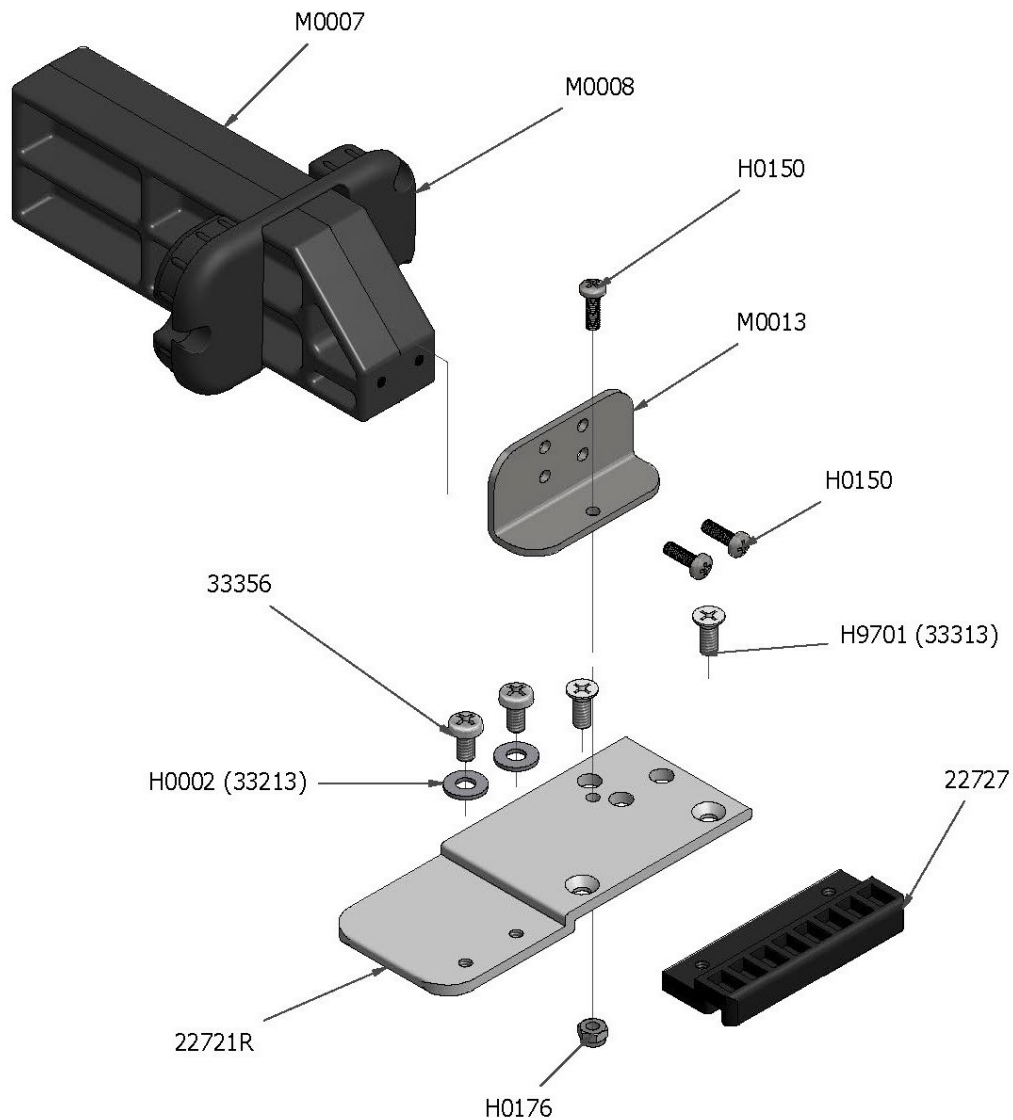
PART ID#	PART DESCRIPTION	UNIT
UT1015	Under Track Slider Assembly	KIT
SL22661	Leading Edge Slip Dowel	EA.
SL22721	Flat Slider Plate (Left & Right)	KIT
SL22645	Rectangle Short Slider	EA.

Slider Assembly UT for 4" LE



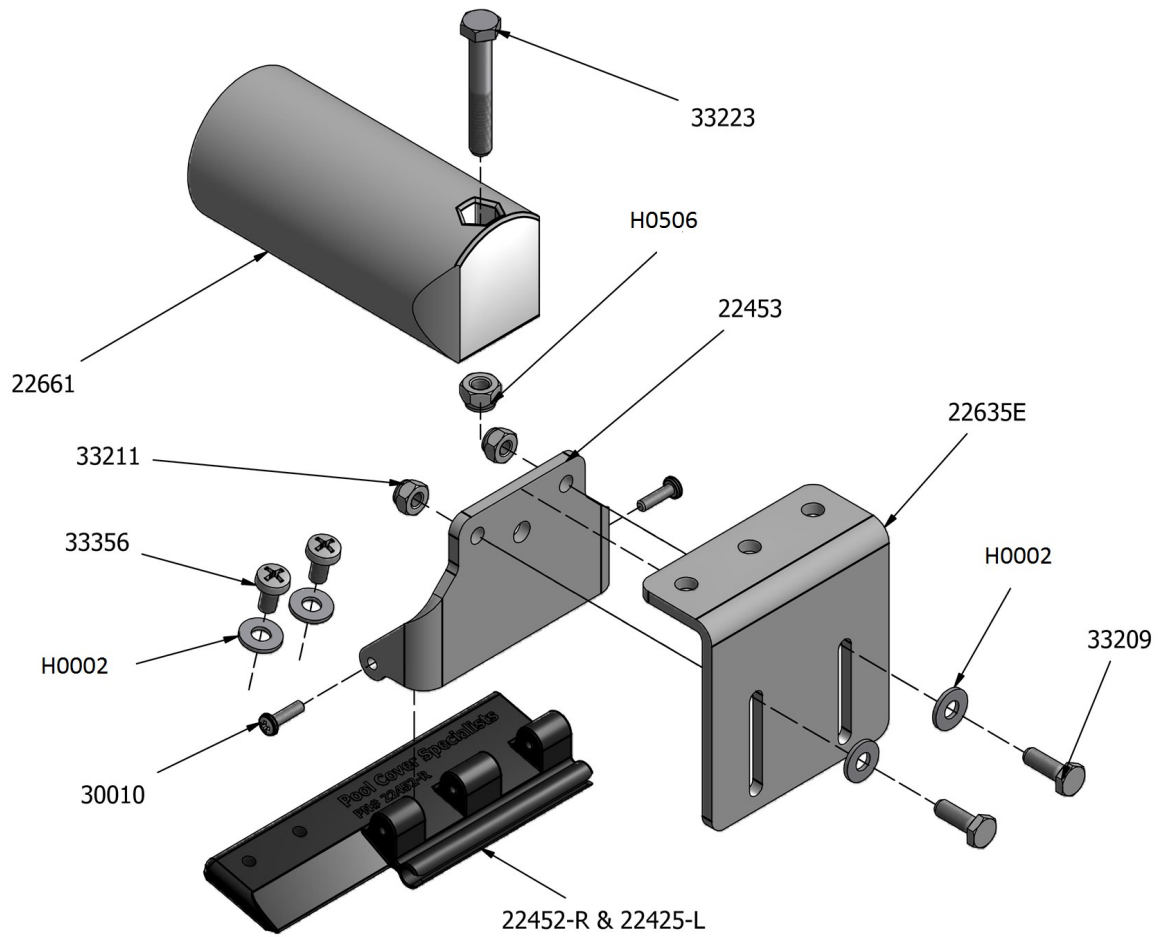
PART ID#	PART DESCRIPTION	UNIT
UTO1018	LE Outside Slider	PAIR
22111	4" LE UT Snap-in Slider	EA.

Slider Assembly UT for 2-1/2 x 4-1/2" LE



PART ID#	PART DESCRIPTION	UNIT
SL22310	2-1/2 x 4-1/2" LE Slider Assembly (Left & Right)	SET
SL22301	2-1/2 x 4-1/2" LE Slider Assembly Left	EA.
SL22300	2-1/2 x 4-1/2" LE Slider Assembly Right	EA.
22727	Snap-in Under Track Slider	EA.

Vanishing Edge Slider Assembly



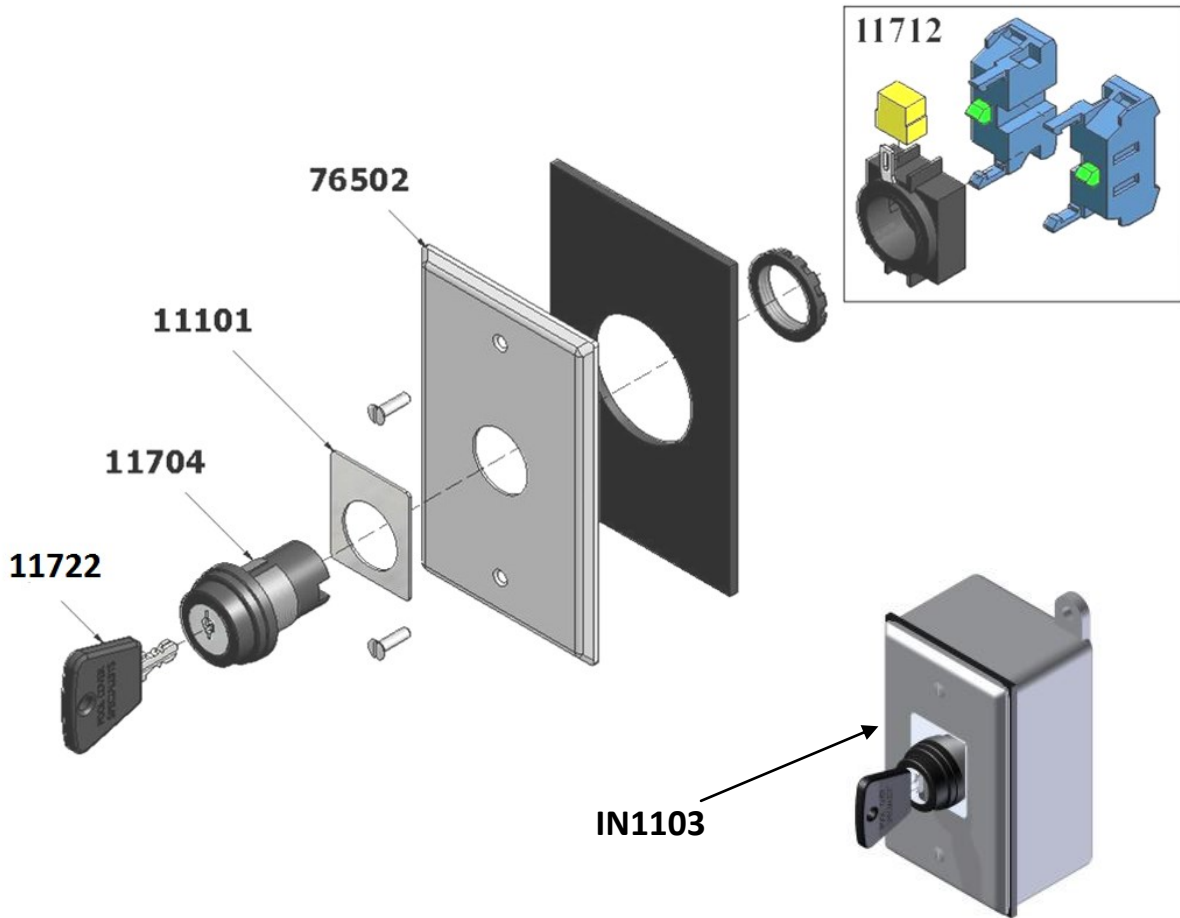
PART ID#	PART DESCRIPTION	UNIT
VE2009-L or R	Vanishing Edge Slider Assembly (Left or Right)	KIT
22452-L or R	4" LE Snap-in Slider (Left or Right)	EA.

Vanishing Edge Assembly



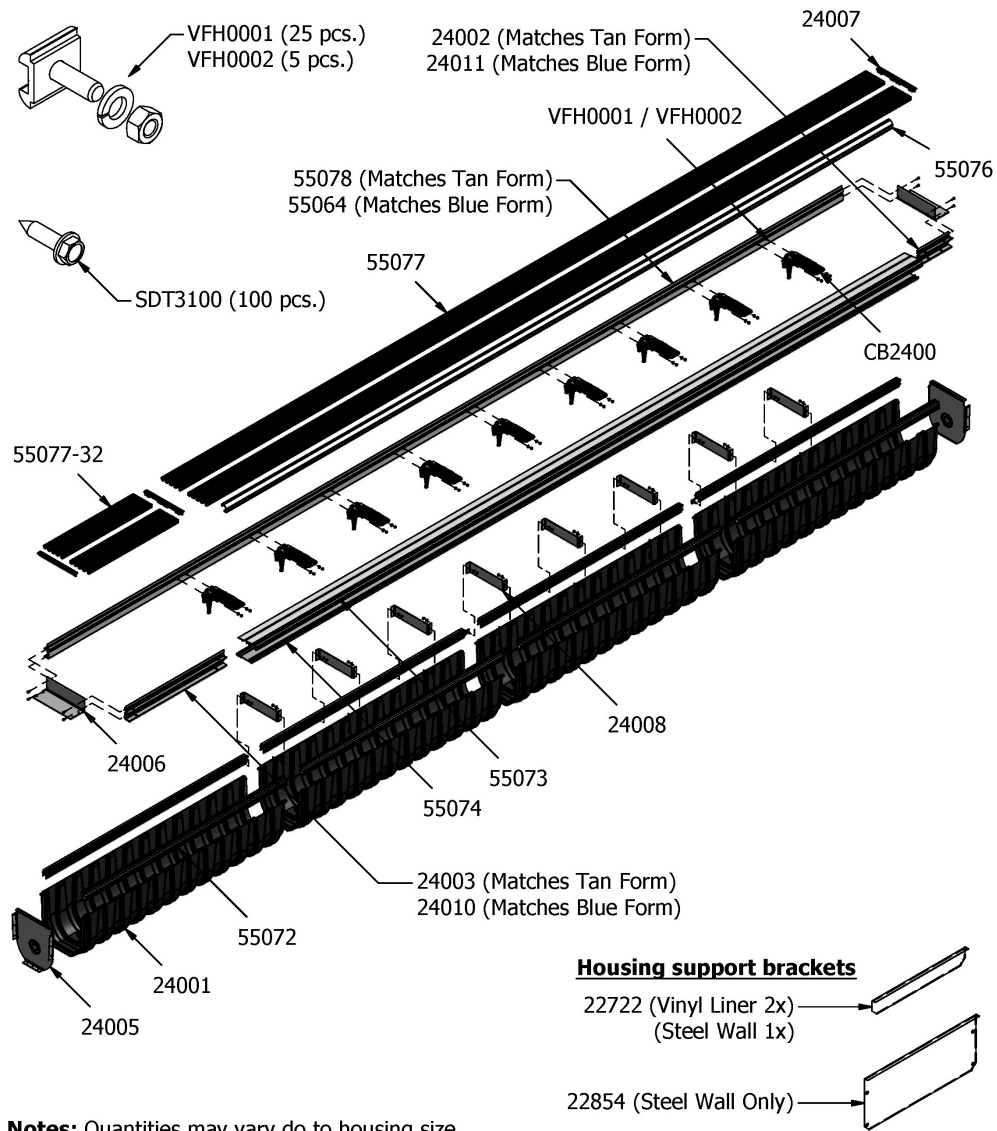
PART ID#	PART DESCRIPTION	UNIT
VE2009-L or R	Vanishing Edge Slider Assembly Vertical Flush Only (Left or Right)	EA.
VE1000-L	Vanishing Edge Vertical Track Install Kit LEFT	KIT
VE1000-R	Vanishing Edge Vertical Track Install Kit RIGHT	KIT
VE1006	Vanishing Edge Vertical Track & Retainer Kit	KIT

IDEC Key Switch Assembly



PART ID#	PART DESCRIPTION	UNIT
IN1104	IDEC Key Switch Assembly w/o Box	KIT
IN1103	IDEC Key Switch with Box	KIT
11722	IDEC Key	PAIR

Vacuum Formed Housing



Notes: Quantities may vary do to housing size.

Contact your Account Manager for Pricing

Aluminum Bench




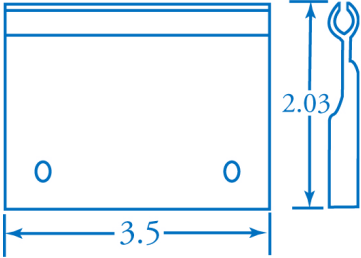

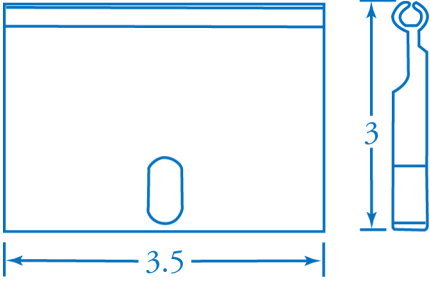

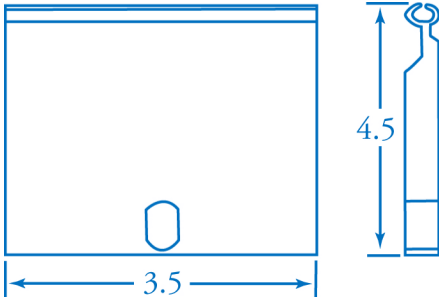

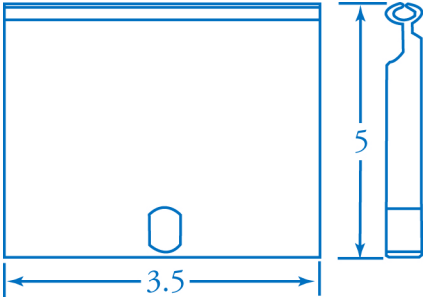
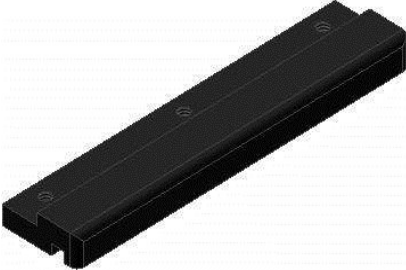
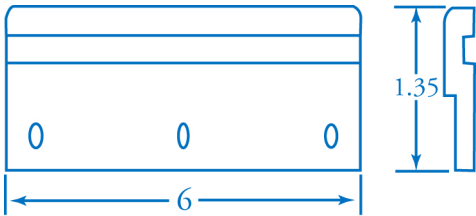
PART ID#	PART DESCRIPTION	UNIT
A3358	Aluminum Bench 23" Wide 24' Long	EA.
A3380	Aluminum Bench 23" Hardware Kit	EA.
M1051	Aluminum Bench 23" Bracket	EA.
M1053	Aluminum Bench Attachment Bracket	EA.

Slider Assemblies


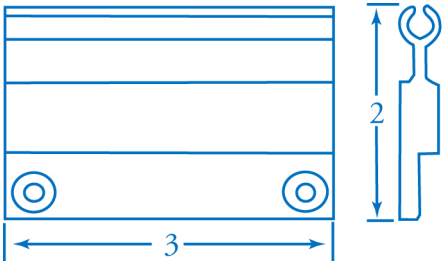

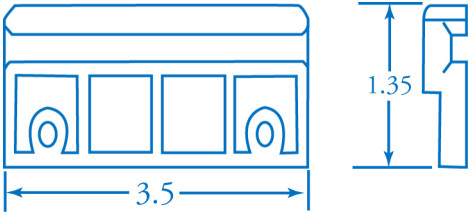

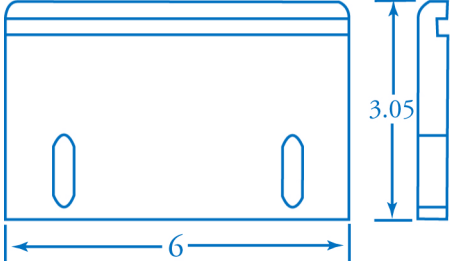

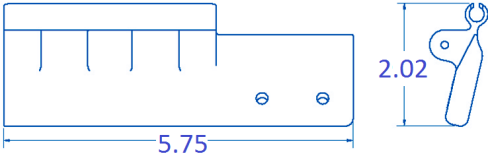


PART ID#	PART DESCRIPTION	UNIT
SL22039	Slider, 2" Extension Universal	PAIR
SL22049	Slider, Universal	PAIR
SL22070	Slider, 6" Under Track (Used on 4" Leading Edge)	PAIR
SL22071	Slider, 6" Slip-in Outside Slider (Used on 4" Leading Edge)	PAIR
SL22438	Slider, Universal 1.5" Extension	PAIR
SL22645	Slider, Short Rectangle Short	PAIR
SL22727	Slider, Under Track Snap-in	PAIR
SL22452	Slider, Molded Top Track (Left & Right)	PAIR
SL22310	2.5 x 4.5 LE Slider Assembly (Used on Rectangle Leading Edge)	SET

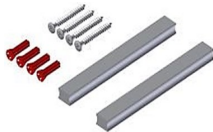
Slider Comparison Chart

		<p>22645</p> <p>Rectangular Short Slider. This is the new replacement for the Snap-in Slider. (Used: 2006 to Present)</p>
		<p>22049</p> <p>Universal TT Slider. (Used: 1995 to Present)</p>
		<p>22438</p> <p>1-1/2" Extended TT Slider. (Used: 2000 to Present)</p>
		<p>22039</p> <p>2" Extended TT Slider. (Used: 2000 to Present)</p>
		<p>22111</p> <p>4" LE Snap-in Slider Used with 4" Leading Edge. (Used: 2008 to Present)</p>

Slider Comparison Chart










		<p>22646</p> <p>Triangular Slider, used primarily outside of Utah. (Used: 2002-2004)</p>
		<p>22727</p> <p>Standard Outside Slider. (Used: 2006 to Present)</p>
		<p>22071</p> <p>Slip-in Outside Slider used on 4" LE. (Used: 2000 to 2008)</p>
		<p>22452 - (L or R)</p> <p>Molded TT Slider for 4" LE. Side-specific, a pair of these is included with TT2009 and TT2010. (Used: 2009 to Present)</p>

Track & Hardware for TT Systems



PART ID#	PART DESCRIPTION	UNIT
54817D 54817	Universal Top Track, Drilled 22 ft. Universal Snap-down Top Track, 22 ft. (Used with Snap-locks, Not Pre-drilled)	EA.
TT2042	Top Track Installation Kit	KIT
TT1010	Top Track Speed Guide Kit SS	KIT
SN1000	Snap-down Top Track Kit	KIT
TT22003	Top Track Splice Kit	KIT
TT1020	Top Track SS Pulley Cartridge Set	SET

Track & Hardware for UT Systems

	PART ID#	PART DESCRIPTION	UNIT
	55031	Standard Under Track for Retainer 22 ft.	EA.
	55063	Under Track, Drill-up 22 ft. Un-drilled	EA.
	54821	Under Track 22 ft. Drill-up style	EA.
	UT1010	Under Track Outside Slider Guide Kit	KIT
	UTO2500	Under Track Installation Kit For Retainer Track	KIT
	UTO1500	Under Track Installation Kit For Drill-up Track	KIT
	UT1013	Under Track Split Guide Kit For Old Style 2 Channel Track, Plastic	KIT
	UTO3000	Under Track Splice Kit	KIT
	UTO1800	Under Track SS Pulley Cartridge Assembly	KIT

Competitors Hardware

PART ID#	PART DESCRIPTION	UNIT	
	22035	Pool Saver Under Track Guide	PAIR
	RP1036 RP1037	Cover Pools UT Slider w/ Plate LEFT Cover Pools UT Slider w/ Plate RIGHT	EA.
	A4020	Cover Pools Rotary Encoder Assembly	EA.
	11002	Cover Pools Sensor, Hamlin N.C.	EA.
	22036	Cover Pools Guide UT NET	PAIR
	RP8075	Aquamatic Universal Screw-on Slider w/ 4 screws	EA.
	RP8073 RP8074 RP8064 RP8063	Aquamatic TT Guide Feed LEFT Aquamatic TT Guide Feed RIGHT Aquamatic UT Guide Feed LEFT Aquamatic UT Guide Feed RIGHT	EA.
	A0097	Coverstar Under Track Slider Assembly	SET
	A1100	Coverstar Slider Assembly For Detachable Rope	SET
	M9886	Coverstar Stop Block Slider TT	EA.

Motors & Motor Controllers



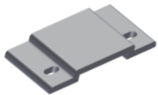
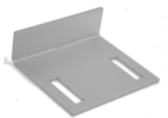
PART ID#	PART DESCRIPTION	UNIT
IN1000	Motor, Baldor .84 hp Drive Motor Assembly	EA.
IN1000-240	Motor, Baldor 1/2 hp 240V	EA.
IN1000-DC	Motor, DC 24V	EA.
A3361	Standard 3 Wire Motor with Limit Control	EA.
IN1022-220	220V Hydraulic Pump (2016)	EA.
HE1000	Dual Output Hall Effect Sensor	EA.
A3360	3 Wire Limit Control & Sensor	EA.
10728	2012 Electric Motor Smart Control Board 110V - 240V	EA.
IN1128	Water Feature Interrupter	EA.
IN1129	Water Pump Interrupter	EA.
10730	2012 Aux Relay Control Board 110V - 240V	EA.

System Controllers



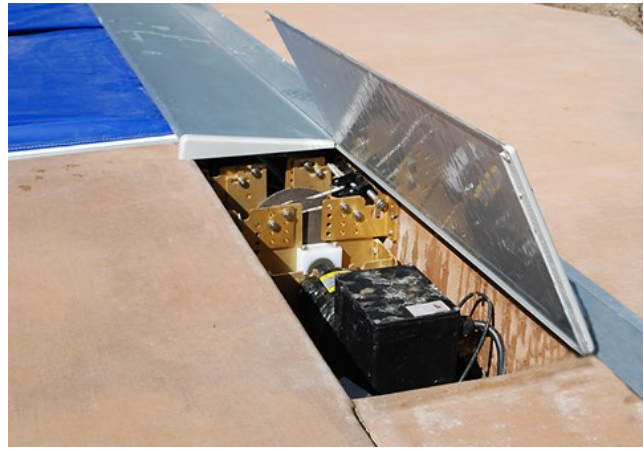
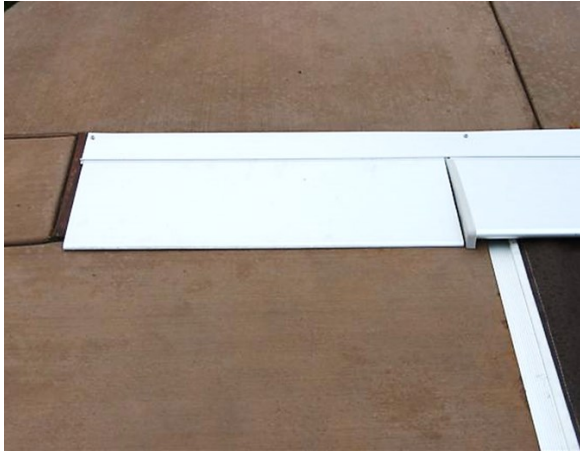
PART ID#	PART DESCRIPTION	UNIT
IN1103	IDEC Key Switch, Full Assembly	EA.
IN1104	IDEC Key Switch Assembly w/out Box	EA.
ID1103	IDEC Key Switch	EA.
TP2500	Touch Sensitive Touch Pad, Full Assembly	EA.

Lid and Bench Brackets



A1932	Lid Bracket adj. arm 13" Walk-on & Base SS
A0507	Lid Bracket adj. arm 12" Walk-on STONE Lid 7.5" Base
A1421	Lid Bracket adj. Assembly 13" Walk-on with 7-1/2" Base
A1398	Lid Bracket adj. Assembly to Use with Flush Lid Kit for 14" Lid
A3326	Lid Bracket Width Extension Kit SS 418
A2393	Lid Bracket Ext Kit 15 - 17" SS 11.75" Long
A2364	Lid Bracket Ext Kit 17 - 19" SS 13.75" Long
A2376	Lid Bracket Ext Kit 19 - 21" SS 15.75" Long
A2365	Lid Bracket Ext Kit 21 - 23" SS 17.75" Long
A2392	Lid Bracket Ext Kit 23 - 25" SS 19.75" Long
A0151	Lid Bracket Walk-on HD SS 3/8" Specify Size (1 week ship)
M4105	Standard Under Track Lid Bracket
M4106	Standard Top Track Lid Bracket
M3970	Lid Bracket Walk-on End 5" Aluminum
M3806	Lid Bracket Walk-on End 10" Aluminum
55041	Drop -in Lid Mount 10 ft
22662	Extended Drop-in Lid Mount, 5/16" Slots
A2409	Lid Bracket w/ Bolt for 309 Riser Panel (X0944) SS for 14" Box
A2415	Lid Bracket w/ Bolt for 309 Riser Panel (X0944) SS for 12-5/8" Box (Special order)
A0231	Bench Bracket Center 14" High 21" Wide (1 week ship)
A0008	Bench Bracket Center 15" High 19" Wide (1 week ship)
A0154	Bench Bracket Center 15" High 21" Wide (1 week ship)
A0002	Bench Bracket Custom Size (1 week ship)

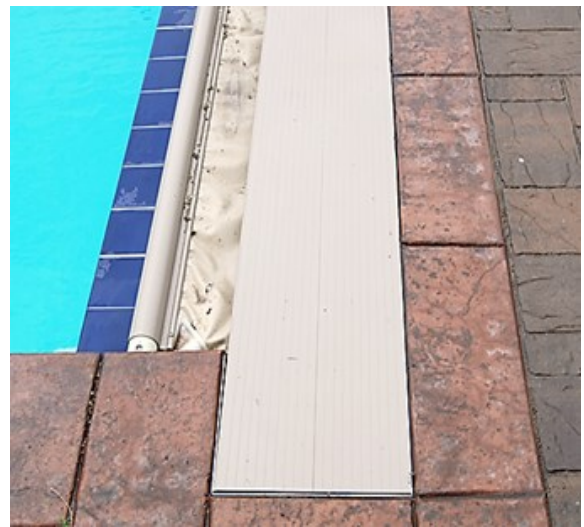
Aluminum Lid for TT & UT Systems



X0004 X0817	Lid Aluminum 11" STD Per ft. Lid Aluminum STD 20' 6"
X0121 X0659	Lid Aluminum Motor End Per ft. Lid Non-motor End Aluminum Per ft.
X0943 X0951	Lid Hinge 8" Aluminum 24 ft. Lid Hinge 8" Aluminum Per ft.
A0376	Lid Wedge Set of 2
A0025 A0026	Lid Kit Aluminum, 8" Hinge for 20' Track Space UT Lid Kit Aluminum, 8" Hinge for 20' Track Space TT
A1784	Lid Hinge Attachment Hardware Kit
A0375	Lid Endcap Set of 2

Flush Lid for TT & UT Systems

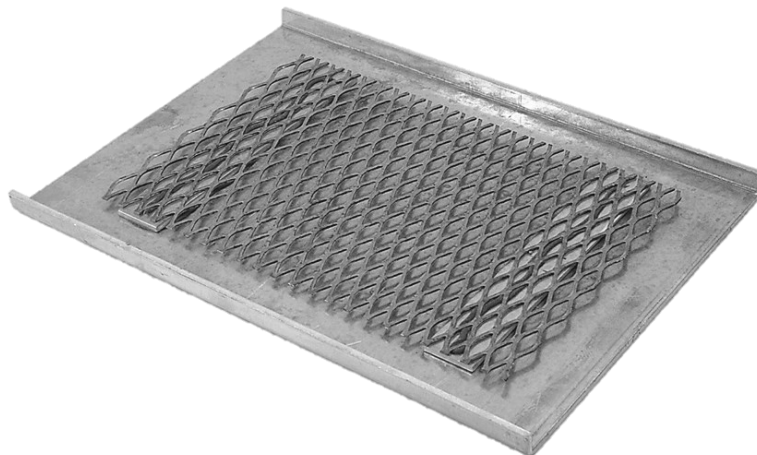
PART ID#	PART DESCRIPTION	UNIT
24006	Short Flush Lid Housing Cap End Plate	EA.
24007	Housing Flush Lid Trim	EA.
55077-QGR	Housing Flush Lid 288, 24' Gray	KIT
55077-32-QGR	Flush Lid Motor End Quartz Gray	EA.
55076-QGR	Lid Fascia Quartz Gray	EA.



Walk-on Tray Lid Aluminum



PART ID#	PART DESCRIPTION	UNIT
A0189	Lid Tray Walk-on Mesh 14" x 23-3/4" (side w/ lip) 1 week	EA.
A0229	Lid Tray Walk-on Mesh 24" x 23-3/4" (side w/ lip) 1 week	EA.
A0230	Lid Tray Walk-on Mesh 24" x 17-3/4" (side w/ lip) 1 week	EA.
A0052	Lid Tray Walk-on Custom Size Specify Dimensions 1 week	EA.

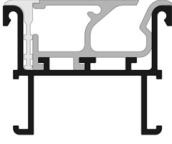
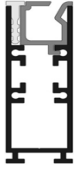
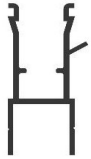



Tubes & Leading Edges

PART ID#	PART DESCRIPTION	UNIT
X0676	Tube 4" Aluminum 40 ft.	EA.
X0679	Tube 5" Aluminum .078 Wall 40 ft.	
X0001	Tube 5" Aluminum STD Per ft.	
X0015	Tube 4" Aluminum Per ft.	
X0016	Tube 8" Aluminum Per ft.	
X0676	Leading Edge Tube, 4 in. x 40 ft.	EA.
X0015	Leading Edge Tube, 4 in. Per Foot	
X0672	Tube 6" Extruded Clear Anodized 28 ft.	EA.
X0673	Tube 6" Extruded Clear Anodized 20 ft.	
55089-20	Extruded Aluminum Keyed Tube (6" x 19' x 3")	EA.
54806-20	Extruded Aluminum Leading Edge (2-1/2 in. x 19 ft. 3 in.)	EA.
X0007	Tube Leading Edge 2-1/2 in. x 20 ft.	EA.
X0024	Tube Leading Edge 2-1/2 in. x 24 ft.	


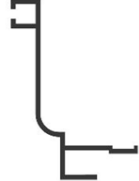

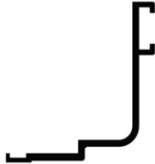


Flush Track Kits and Hardware

PART ID#	PART DESCRIPTION
	<p>A2123 Recessed Horizontal Track Kit X0849 Track Housing Bottom Piece Gray 22' Piece X0850 Track RHT Top Piece Gray 22' Piece X0847 Spacer Gray 22' Piece</p>
	<p>A0021 Slim Flush Track Kit X0585 Slim Flush Track Housing X0586 Slim Flush Track X0587 Slim Flush Spacer Gray 22' Piece</p>
	<p>54816 Vertical Flush Top Track Retainer 21' Piece 54814 Vertical Flush Top Track 22' Piece</p>
	<p>HR4000 Horizontal Flush Retainer & Track Kit 55053 Horizontal Flush Top Track 21' Piece 55005 Horizontal Flush Track Retainer 22 ft. 55054 Horizontal Snap-in Cap R-3 10' Piece</p>



Reusable Coping Forms and Kits

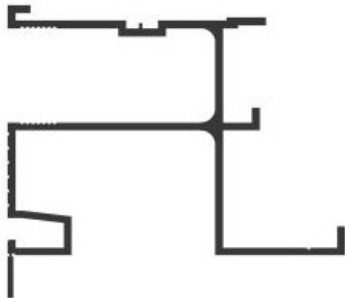
	PART ID#	PART DESCRIPTION	UNIT
	55030 PCS1010	Coping Form, 2" Rise Tan 10' Piece Reusable Form Kit for Pools up to 20 x 40	EA. KIT
	55051-blu PCS1212	Coping Form, 3" Rise (Flat Face) Blue 10' Piece Reusable Form Kit for Pools up to 20 x 40	EA. KIT
	X0743 A1252 A1254	403 Coping Form Inclined 6' Piece 403 Coping Form Kit Inclined Reusable 20 x 40 403 Coping Form Kit Inclined Reusable 22 x 50	EA. KIT KIT
	X0719 A1145 A1253	403 Coping Form Cantilever 6' Piece 403 Coping Form Kit Cantilever 20 x 40 403 Coping Form Kit Cantilever 22 x 50	EA. KIT KIT



Vinyl Liner Track Retainer Kits



PART ID#	PART DESCRIPTION
VLR4020	Vinyl Liner Retainer Side-all Kit (Up to 20' Track Length)
VLR4030	Vinyl Liner Retainer Side-Wall Kit (Up to 30' Track Length)
VLR4040	Vinyl Liner Retainer Side-Wall Kit (Up to 40' Track Length)
VLR4050	Vinyl Liner Retainer Side-Wall Kit (Up to 50' Track Length)
VLR6020	Vinyl Liner Retainer End-Wall Kit (Up to 20' Track Space)
VLR6030	Vinyl Liner Retainer End-Wall Kit (Up to 30' Track Space)
52001	Vinyl Liner Track Retainer 21' Piece



Gunite & Fiberglass Track Retainer Kits



PART ID#	PART DESCRIPTION
DDO4100	Raised Deck on Deck Track Retainer Kit
GRO4000 GRO4000E	Gunite Track Retainer Kit Gunite Track Retainer Extension Kit
GRO4100 GRO4100E	Gunite Cantilever Track Retainer Kit Gunite Cantilever Track Retainer Extension Kit
55044	Gunite Track Retainer 21' Piece
55050	Gunite Non-Cantilever Track Retainer 21' Piece
55049	Deck on Deck Raised Track Retainer 21' Piece



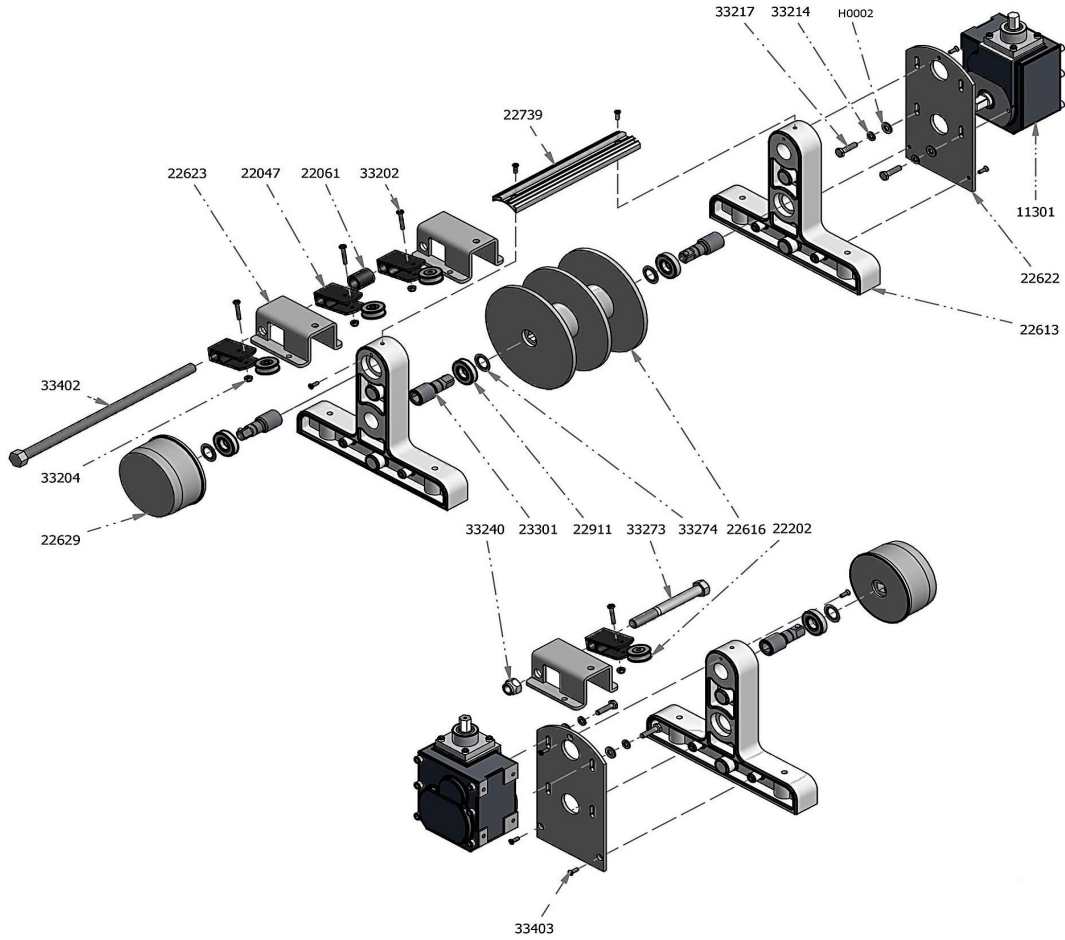
Hardware for Retainer Kits



PART ID#	PART DESCRIPTION	UNIT
K22626	Track Shim Kit 1/16 x 1-1/2 x 12" (20 Black)	KIT
K22673	Track Shim Kit (20 Short Gray)	KIT
K22674	Track Shim Kit (20 Gray)	KIT
UT22674	Track Shim Kit (11 Gray)	KIT
IN2040	Screw and Anchor Kit 40 pcs	KIT
BL1000	Bonding Lug Kit	KIT
22131	Shim Removal Tool	EA.



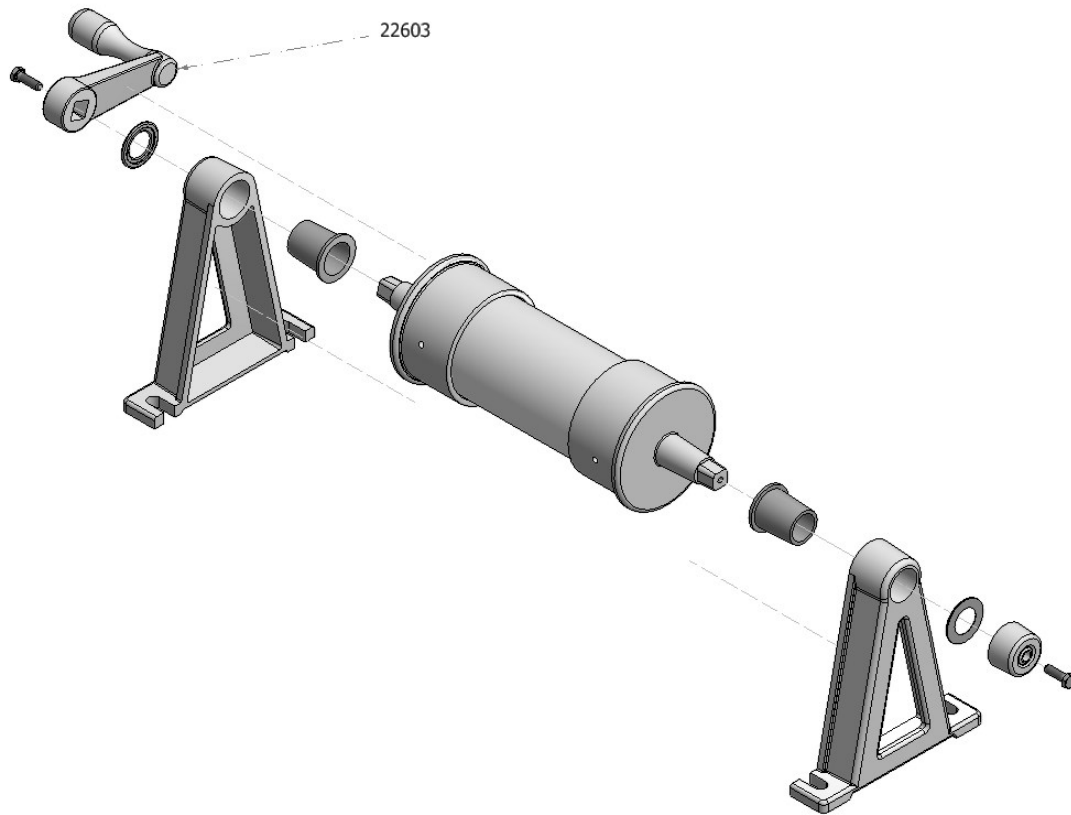
PowerTrak™ Drive Assembly



PART ID#	PART DESCRIPTION	UNIT
POWERTRAK	PowerTrak™ Drive Mechanism Includes Drill, Track, Tubes and Installation Kits	KIT
PT1010	PowerTrak™ Drive Mechanism & Installation Kits No Drill, Track, Tubes, or Cover.	KIT



ManualTrak™ Drive Assembly



PART ID#	PART DESCRIPTION	UNIT
MANUALTRAK	ManualTrak™ Full System. Includes Tracks, Tubes and Installation Kits	KIT
H1003	Rocky Roller Mechanism	EA.
22603	Rocky Roller Replacement Handle	EA.

