

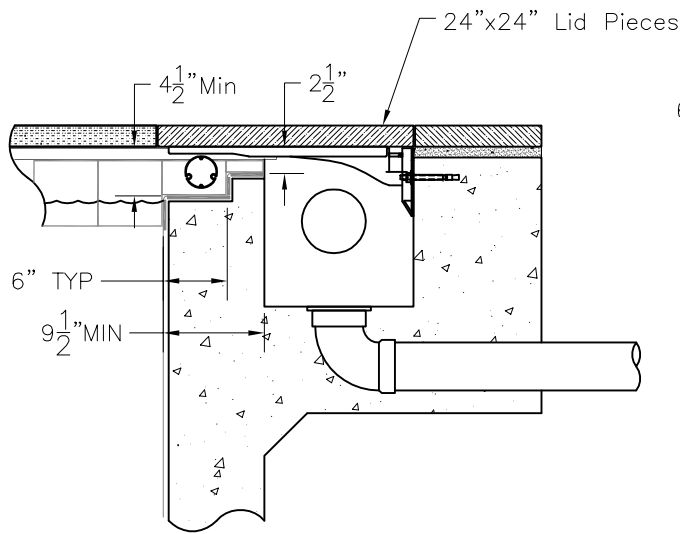
≡      0      -      "

7      )      0      "

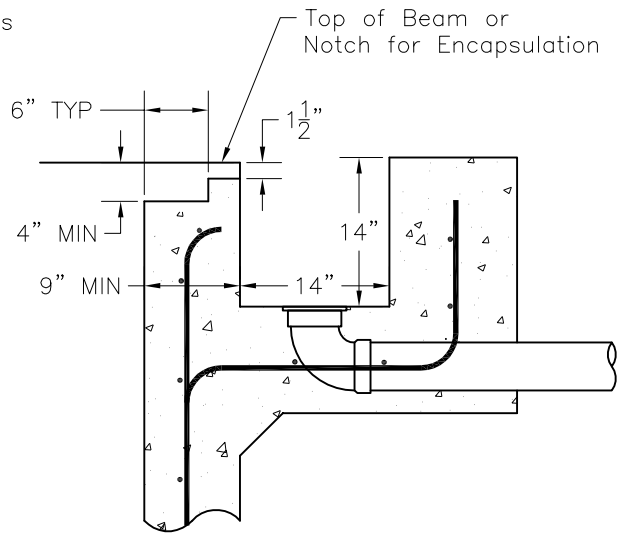
h

Skimmer height is set for a water line 4" below top of tile for encapsulated track and 5" below for screw-on track. Internal walls such as spas must be 4-1/2 inches below bond beam. Because coping and deck thickness vary, housing depth is always measured from the top of beam or top of encapsulation.

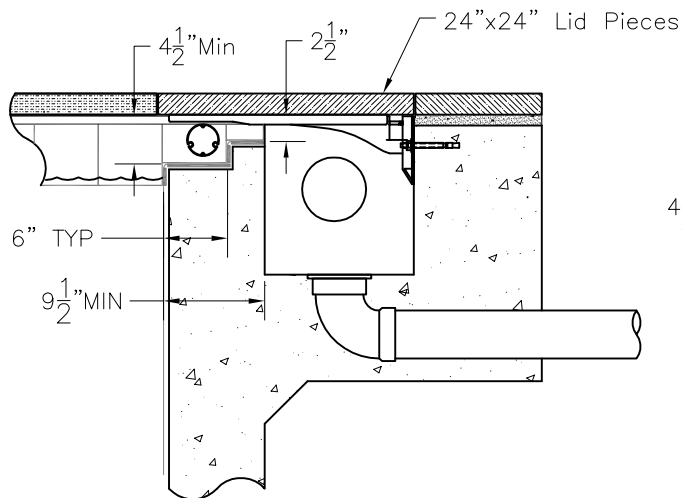
Finished dimensions



Gunite Dimensions



Finished dimensions



Gunite Dimensions

