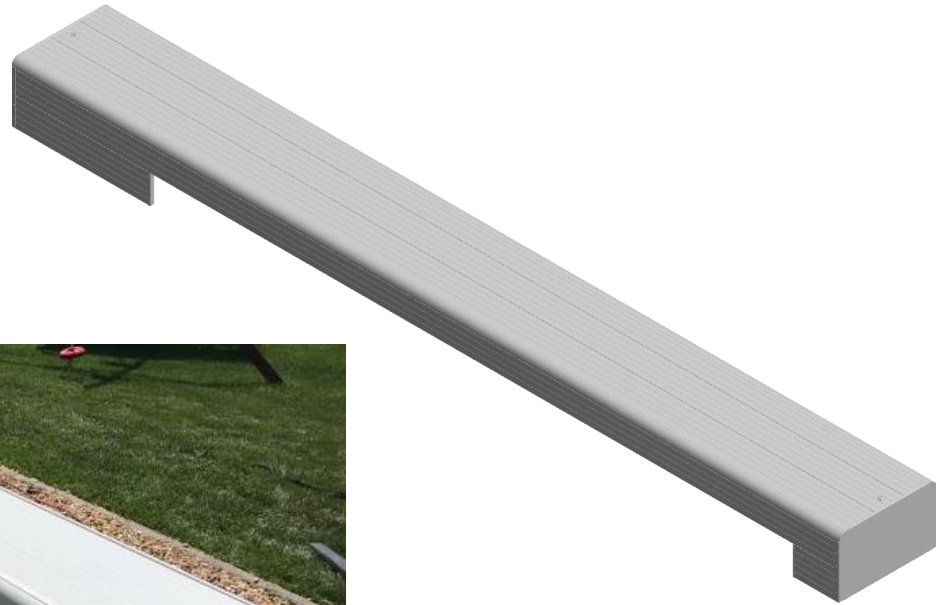


# Aluminum Bench Installation Instructions

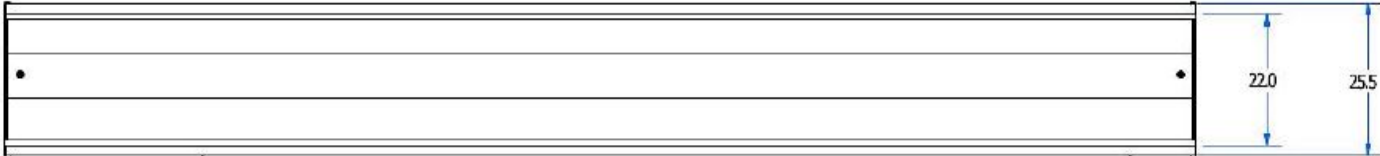


## Required Tool & Parts List

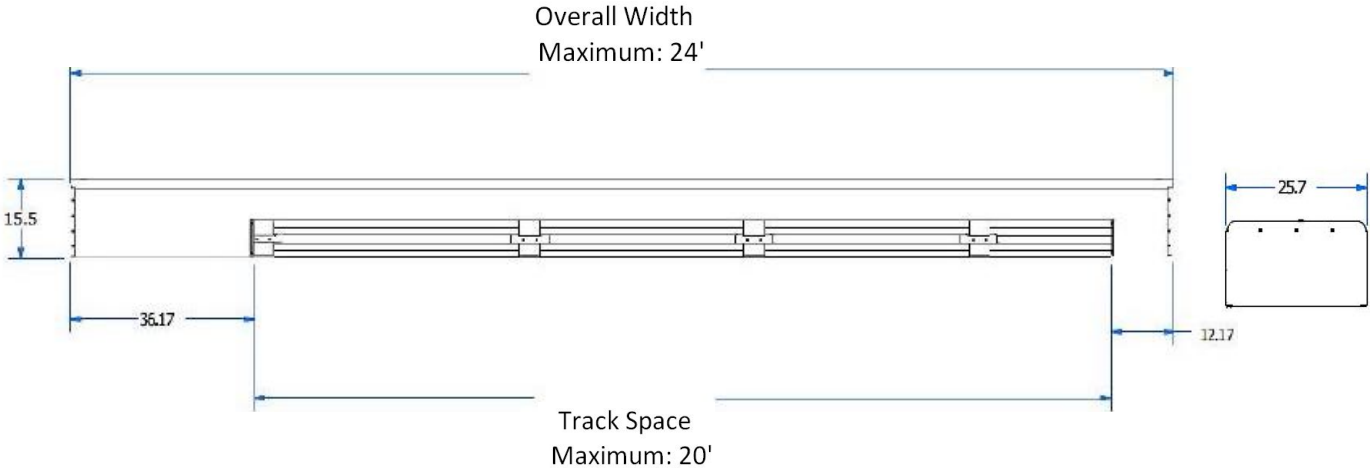
- Skill Saw - for cutting aluminum extrusion
- Drill
- Impact Drill
- Hammer Drill (with bit for anchoring brackets into deck)
- Square
- Tape Measure
- 5/16" Hex Drill Driver
- #2 Phillips Drill Bit
- 7/8" Drill Bit - for drilling out hole for lid lock
- 1/8" Drill Bit
- 9/16" Wrench
- 9/16" Socket
- Pencil or Marker
- 3/8" Concrete Anchor Bolts

# Bench Dimensions

## TOP



## FRONT



**ALUMINUM BENCH  
HARDWARE INSTALL KIT A3380**



H1122  
QTY: 2



33237  
QTY: 8



H0700  
QTY: 26



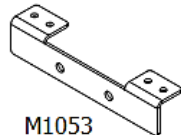
33278  
QTY: 6



M1033  
QTY: 2



H0203  
QTY: 8



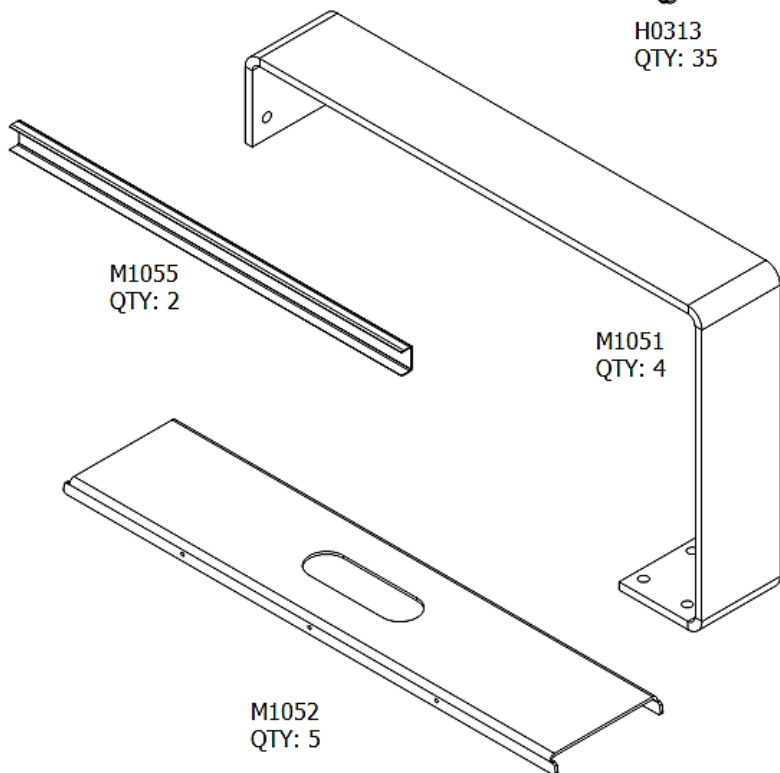
M1053  
QTY: 8



M1054  
QTY: 2



H0313  
QTY: 35

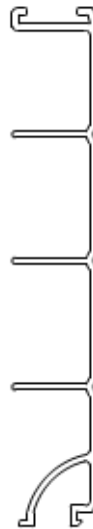


M1055  
QTY: 2

M1051  
QTY: 4

M1052  
QTY: 5

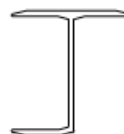
X0008  
QTY: 3



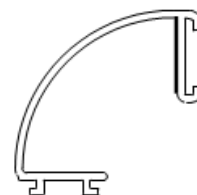
X0009  
QTY: 3



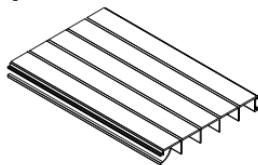
56022  
QTY: 4



X0857  
QTY: 2



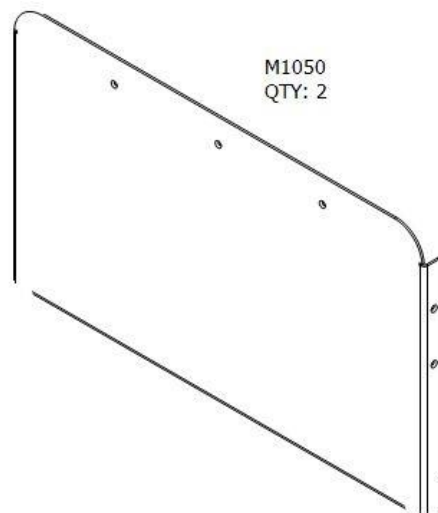
M9091  
QTY: 1



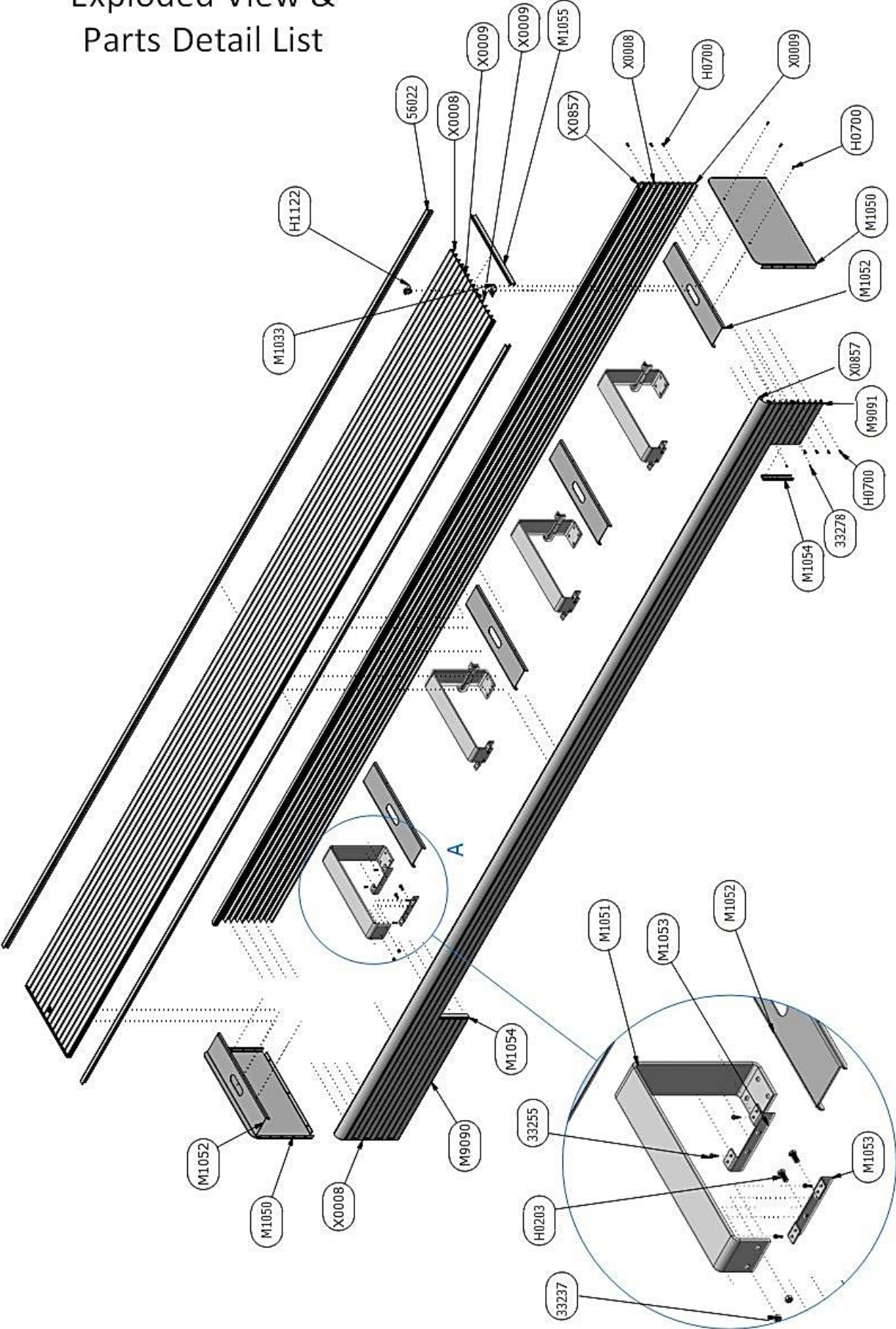
M9090  
QTY: 1



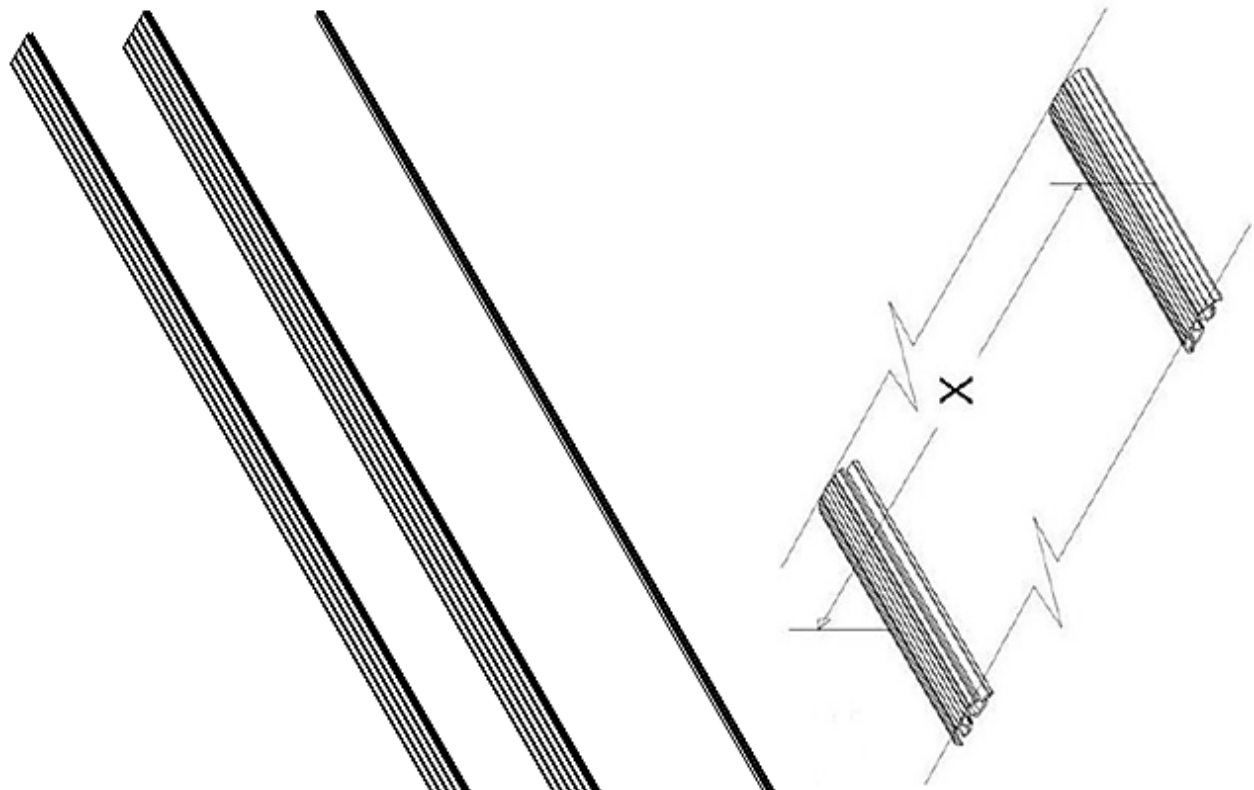
M1050  
QTY: 2



# Exploded View & Parts Detail List



# 1 - Measure



# 2 - Cut

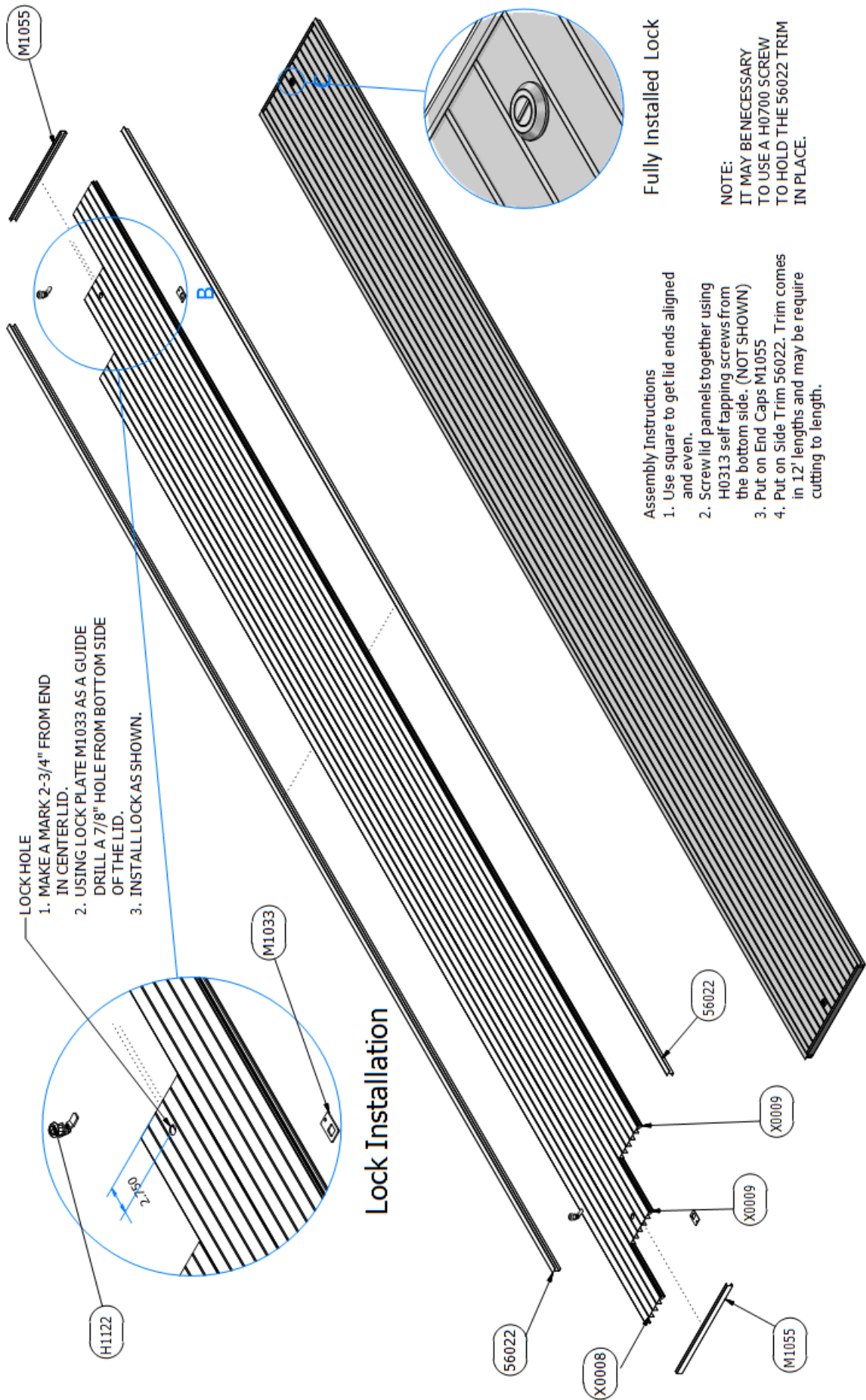
**X0008 - 6" LID**  
2 @ (X + 48.25") - RISER  
1 @ (X + 48") - LID

**X0009 - 7.5" LID**  
1 @ (X + 48.25) RISER  
2 @ (X + 48) LID

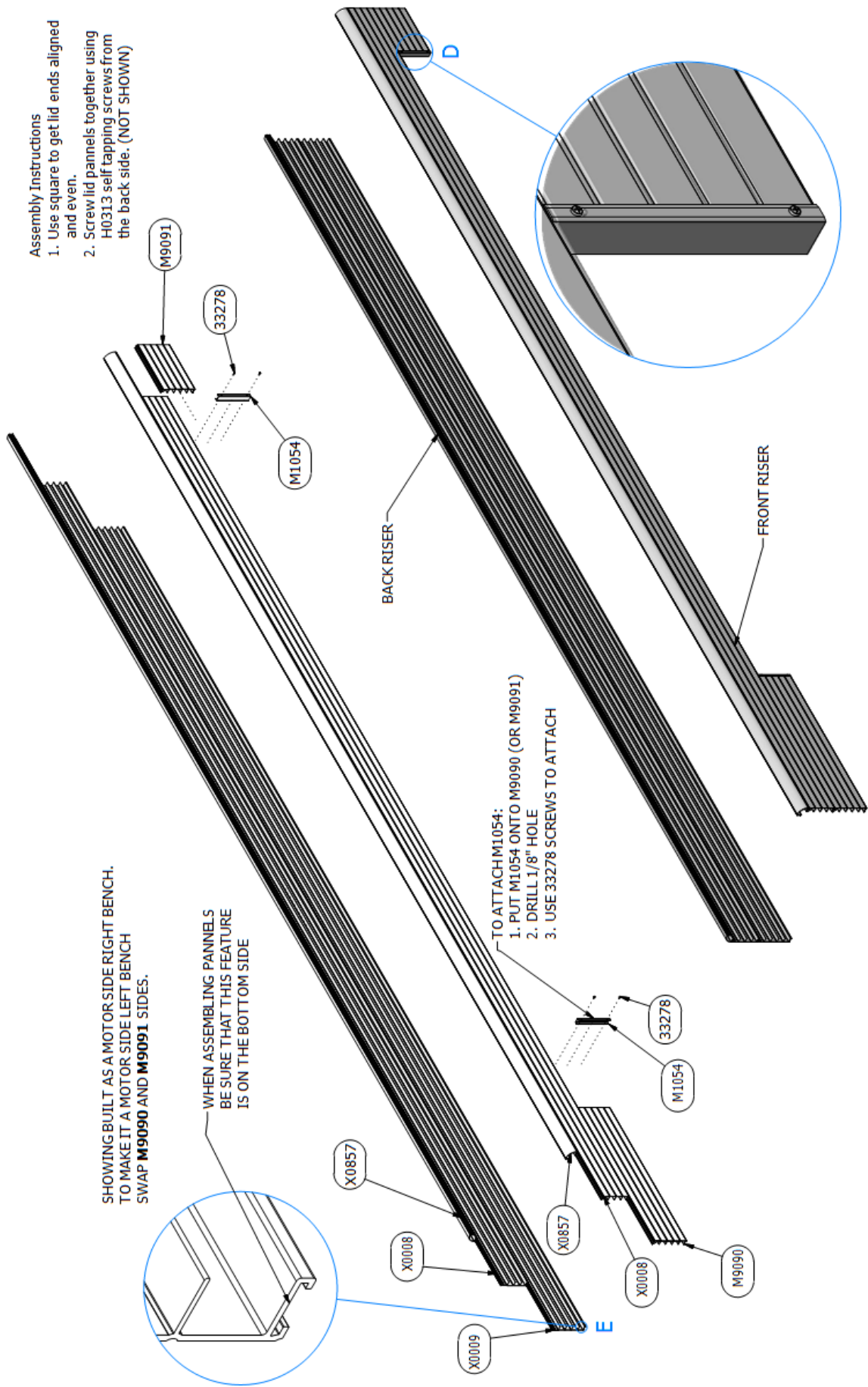
**X0857 - ROUNDED  
CORNER EXTRUSION**  
2 @ (X + 48.25)



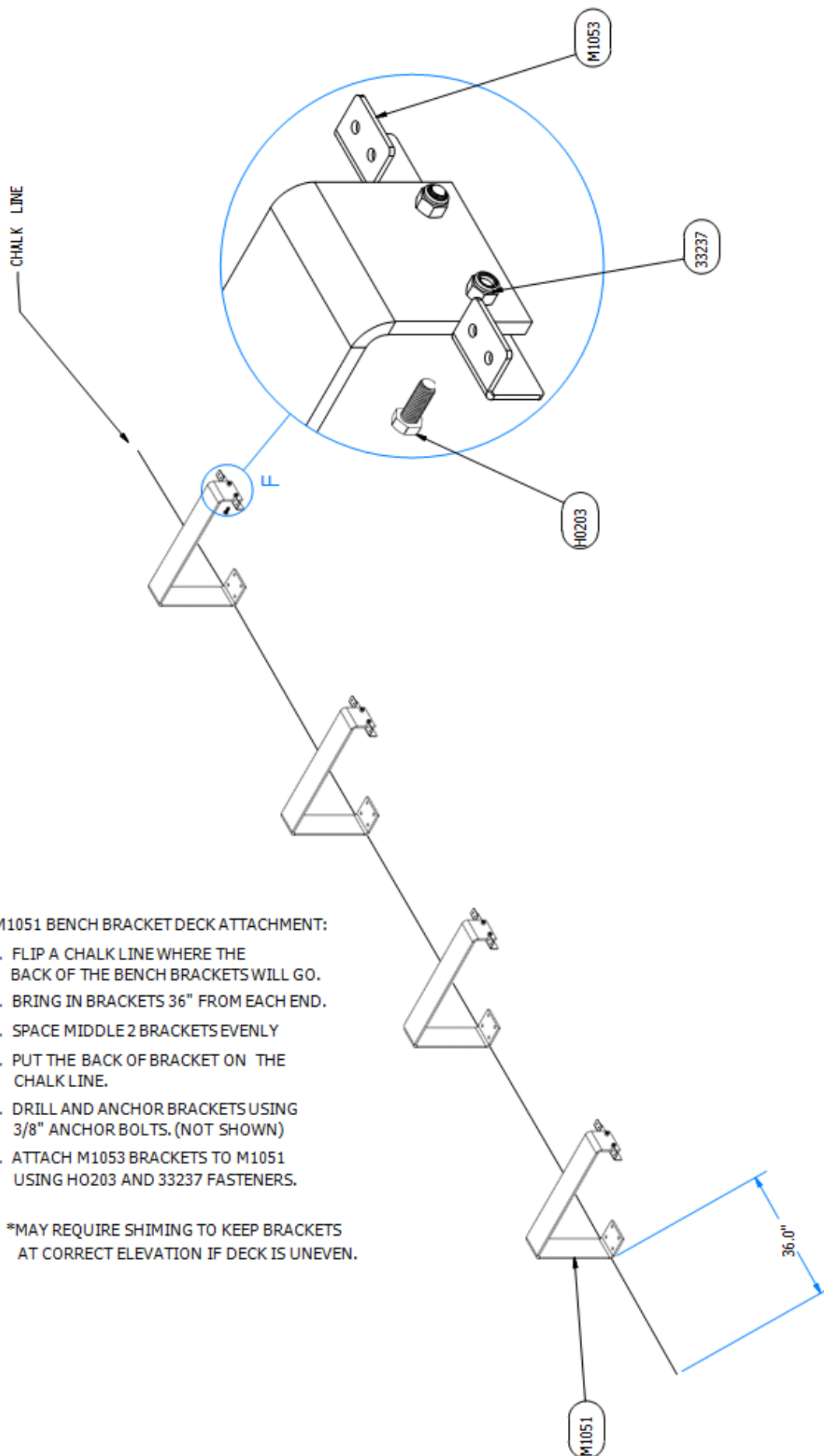
### 3 - Lid Assembly



# 4 - Front & Back Riser Assembly

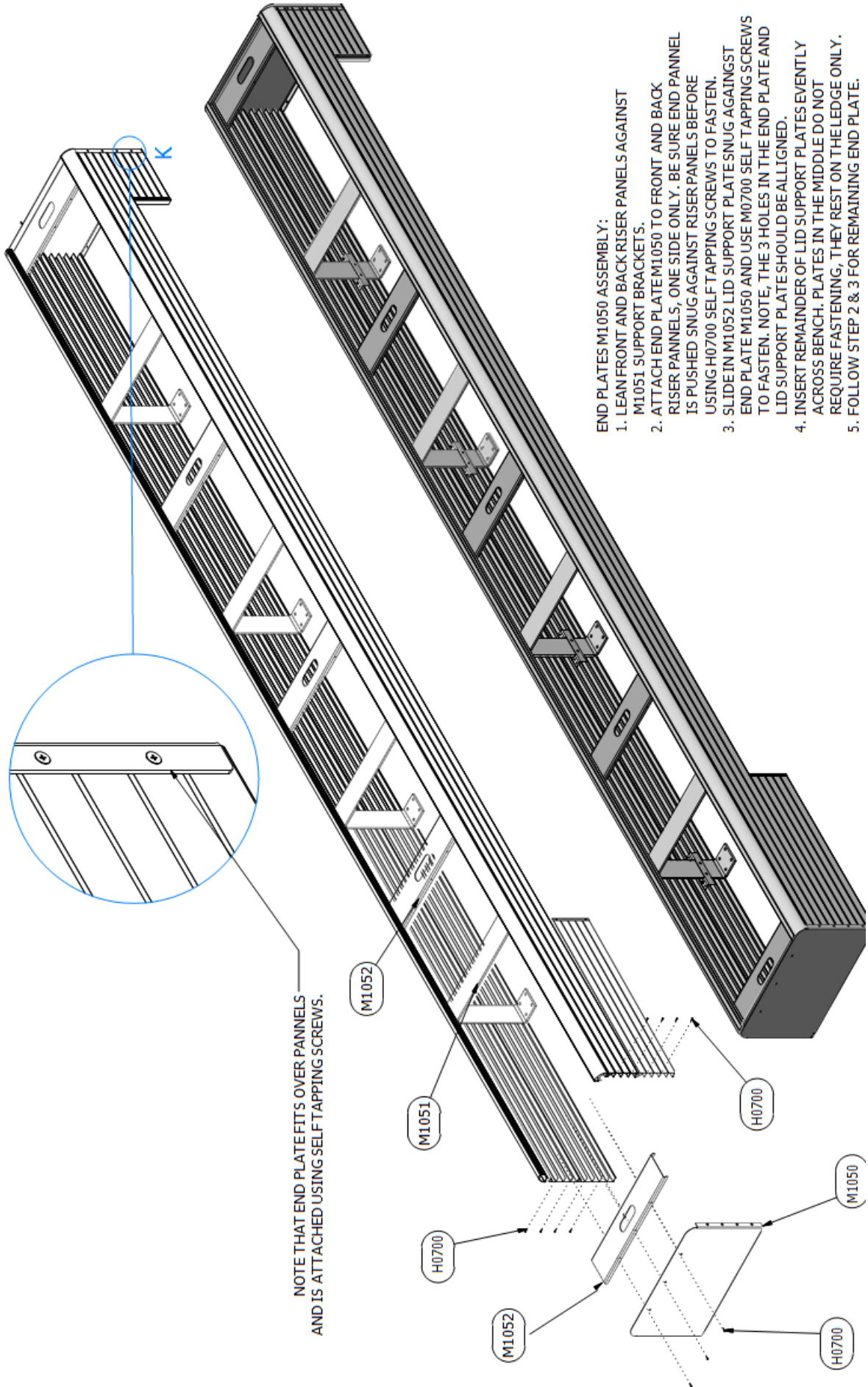


## 5 – Support Bracket

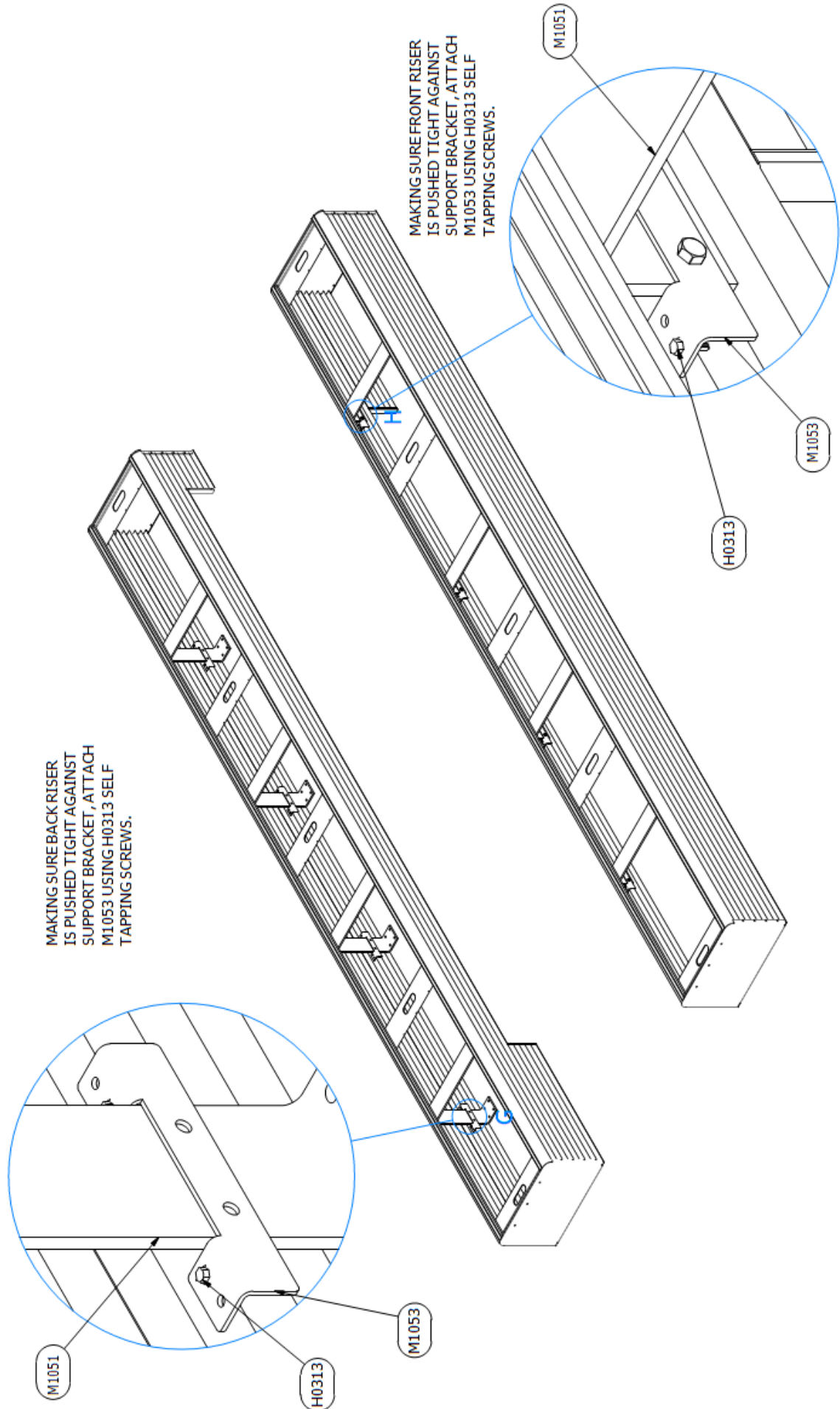




# 6 - End Plate & Lid Plate



# 7 - M1053 Attachment Bracket



## 8 - Lid Attachment

1. Drop lid into place.
2. Turn locks to lock lid into place.
3. Check plastic lid trim to make sure it is seated properly. Round off any sharp corners.

\* It may be necessary to use a self tapping screw H0700 to hold the Lid Trim 56022 in place.

